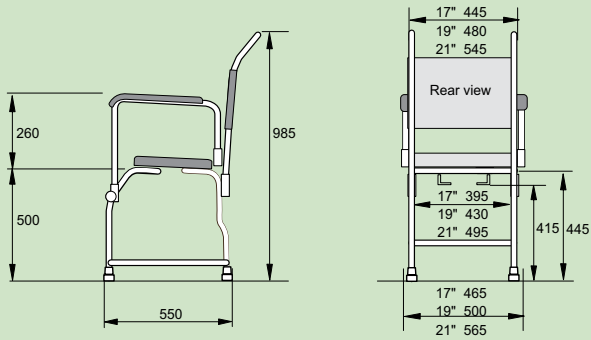


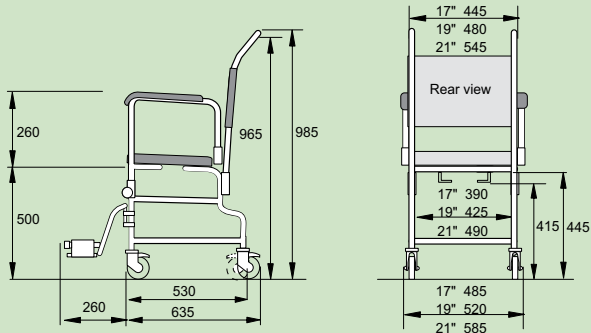
Technical Information

AquaMaster Standard Range

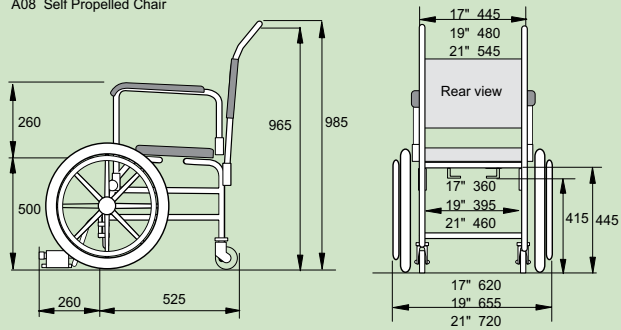
A02 Static Chair



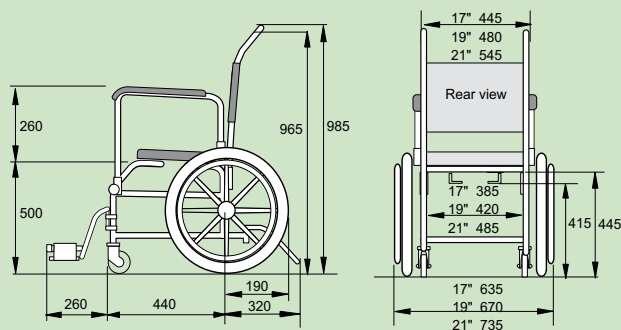
A06 Attendant Propelled Chair



A08 Self Propelled Chair

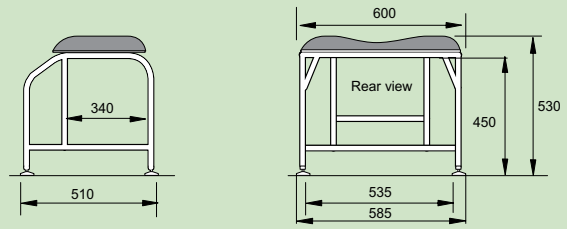


A11 Self Propelled Chair

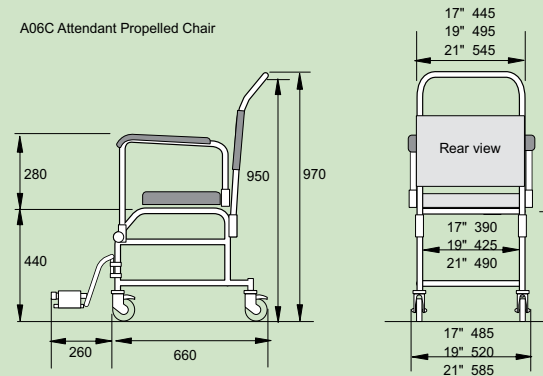


AquaMaster C Range

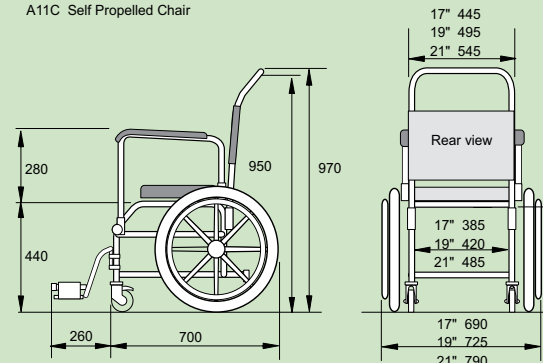
A02C Bariatric Bench



A06C Attendant Propelled Chair



A11C Self Propelled Chair



AquaMaster Shower Chair

Standard footrests provide a seat to footplate dimension of between 460mm and 560mm
 Short footrests provide a seat to footplate measurement of between 310mm and 350mm



Frame coating contains Talisman 30ESAM performance polymer alloy which includes a silver antimicrobial additive to reduce levels of MRSA by at least 99.9%.