

Ferndale Tray & Wall Panels Installation Guide



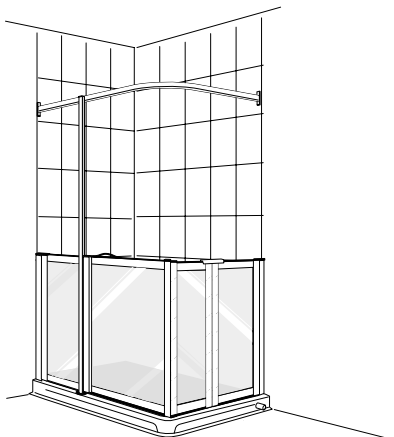
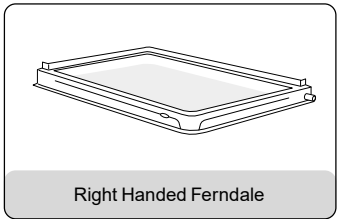
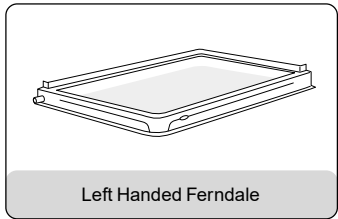
6 easy steps to fit a ... Ferndale Easy Access Shower Tray

Installation Notes:

Safety note: Please wear protective gloves when handling tray.

The Ferndale shower base is designed to be installed in corner areas with the minimum of disturbance to the underlying floor area. It is available with a choice of waste outlet positions (as shown below) to provide easy access to existing drains

Note: If using wall panels follow instructions overleaf.



1. Cutting the tray

Before leveling the tray, cut with a hardpoint saw level with the back of the tiling lip, as Fig 1. Only cut the tray if tiles are to be used. If wall panels are to

be used then do not cut the tray.

Note: See separate fitting instructions for fitting wall panels.

Fig 1

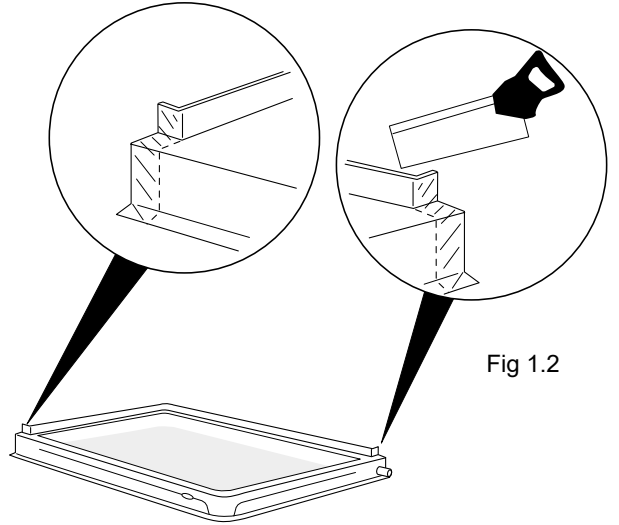


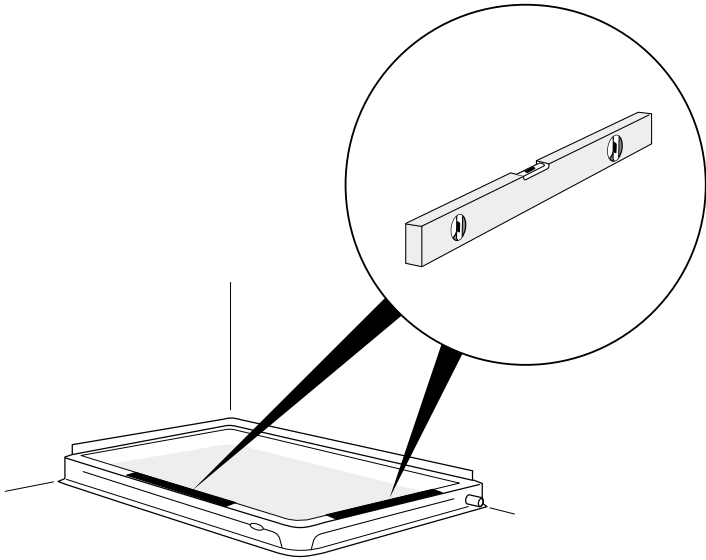
Fig 1.2

2. Check level

Place the shower tray into the corner and ensure the shower base is level along its width and length as Fig 1.2.

Note: Open edge of tray must be flat and level to ensure doors open and close correctly (if applicable).

Use strips of ply to adjust if necessary and eliminate any flexing.



3. Marking the Plaster

Mark the plaster above both tiling lips as Fig 2.1. Take the shower tray away.

Important:
Tiles at A and B must be level and vertical to the surface of the tray to take wall channels

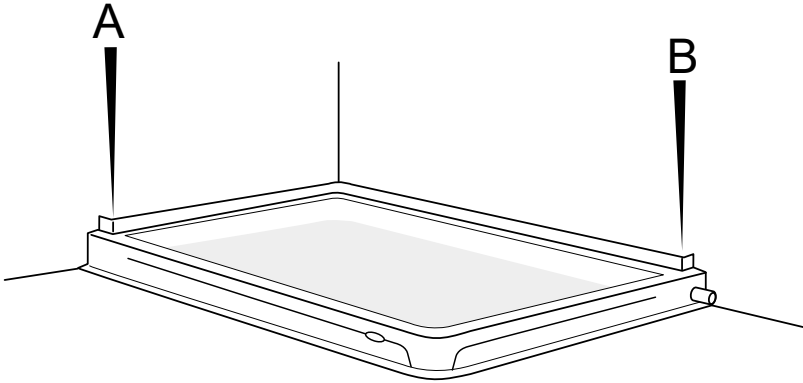


Fig 2.1

4. Removing the Plaster

Remove the plaster below the mark you just made to a depth suitable to take the tiling lip, as Fig 3.1.

This will vary according to the thickness of the tile to be used, as shown in Fig 3.2.

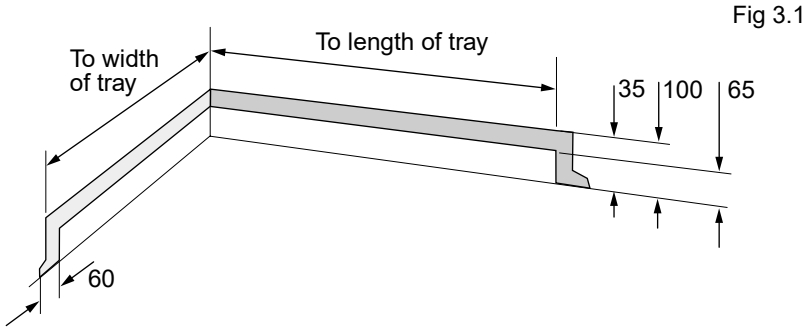


Fig 3.1

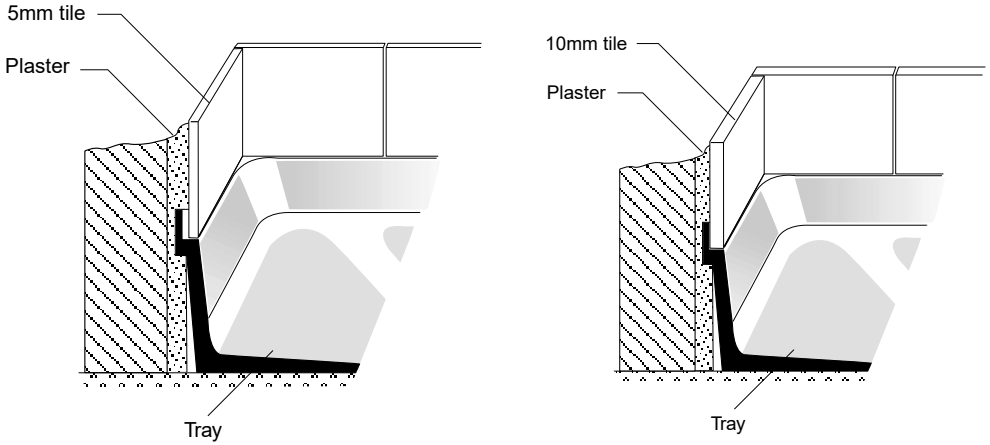


Fig 3.2

5. Drilling Tiling Lip

Drill and countersink the tiling lip at the points shown in Fig 4.1. Mark and plug the walls. Fix tiling lips securely with 1 1/2" x No 8 screws provided. Drill through bottom lip into the floor to

secure the tray to the floor, as Fig 4.2, checking the tray is level before final fixing. Apply silicone sealant to the underside edges of the tray.

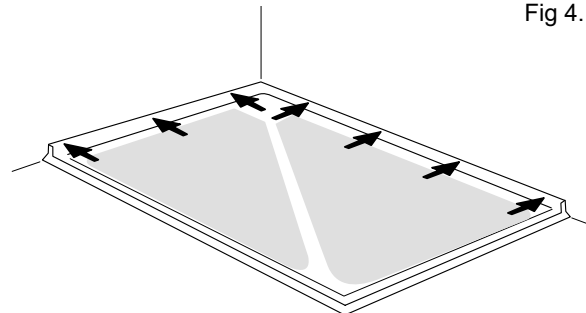


Fig 4.1

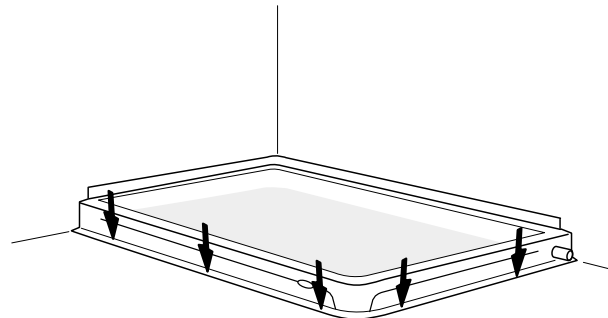


Fig 4.2

6. Tiling

When fastening is complete, tile down to the angle of the tiling lip using waterproof adhesive and grout. The waste outlet pipe is connected to existing drain through a 3" running trap, as Figs

5.1 & 5.2. It is essential to ensure adequate fall of the waste pipe (we recommend 1:40).

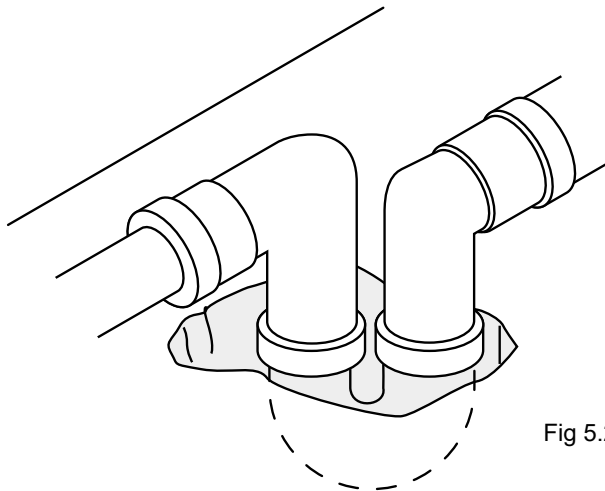
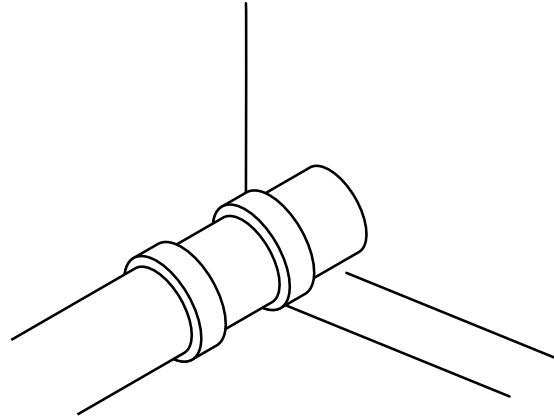


Fig 5.2

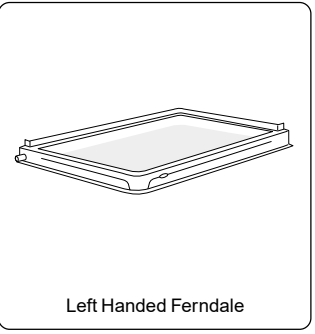


Fig 1.1

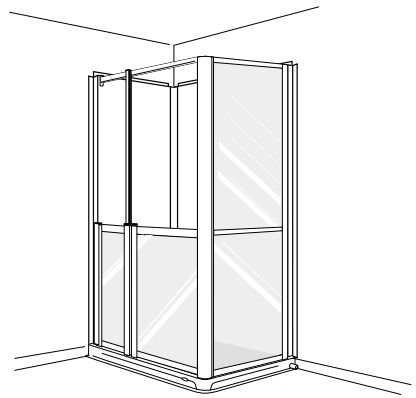
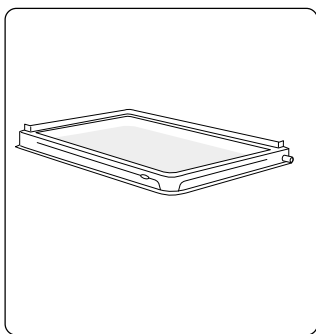
4 easy steps to fit a ... Ferndale Easy Access Shower Tray and Wall Panels

1. Connecting Services

Any services such as water and electrical showers should be fitted before the panels are screwed to the wall.



Left Handed Ferndale

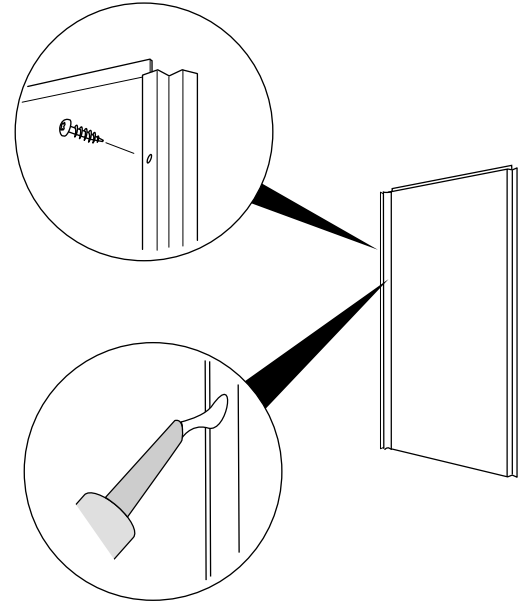
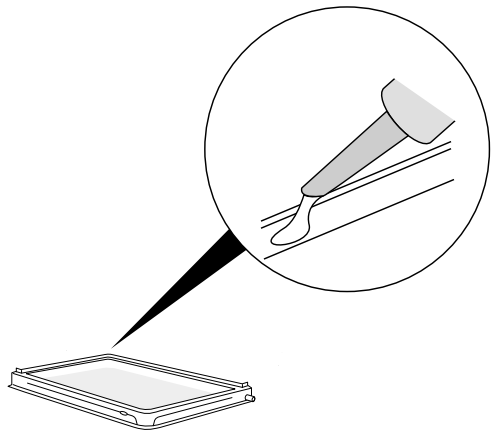


2. Applying Silicone and Securing

Place the tray on the floor away from the wall and apply a bead of silicone along the tiling lips, as Fig 1.

Apply a bead of silicone to one edge of the aluminium corner section as Fig 1.1. Push it on and secure to the large panel by screwing 1/2" x No. 8 flange head screws through the aluminium and into the panel, as Fig 1.2.

Fig 1.2



2. Applying Silicone and Securing

Place this on the tray by sliding the panel over the tiling lip, as Fig 1.3.

Apply a bead of silicone to the other edge of aluminium as Fig 1.4 and slide the small panel into it. Secure it to the panel by screwing through the aluminium with screws, as Fig 1.5.

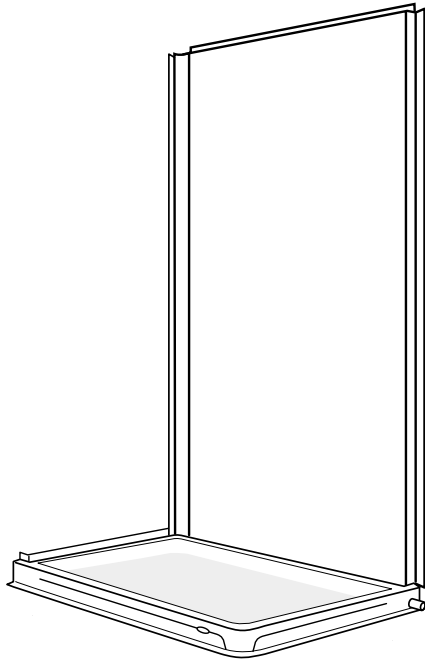


Fig 1.3

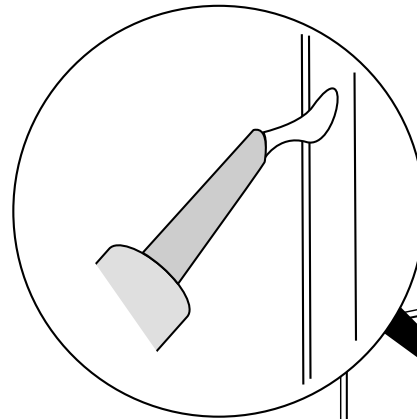


Fig 1.4

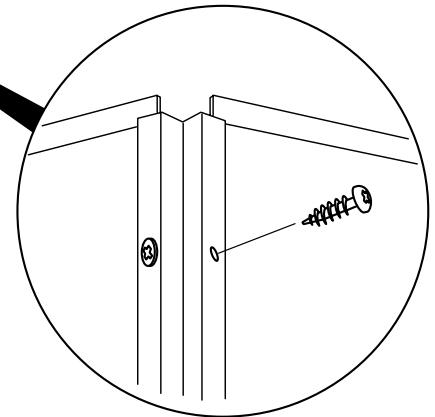
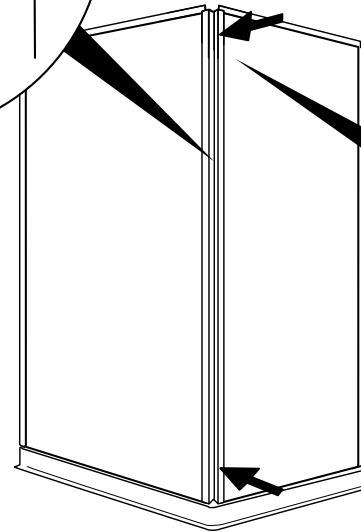


Fig 1.5

3. Checking Level

Push the complete unit back to the wall. Before securing it, make sure the tray is level along its length and width, as Fig 1.6.

Use strips of ply to adjust if necessary and eliminate any flexing.

Note: Check that all shower water and electric connections are in place before final fixing.

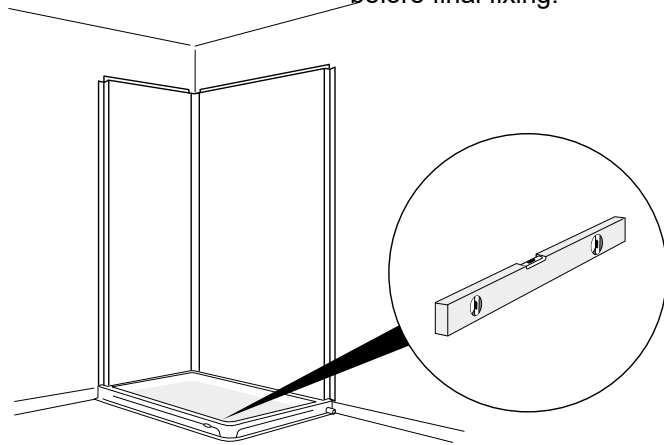
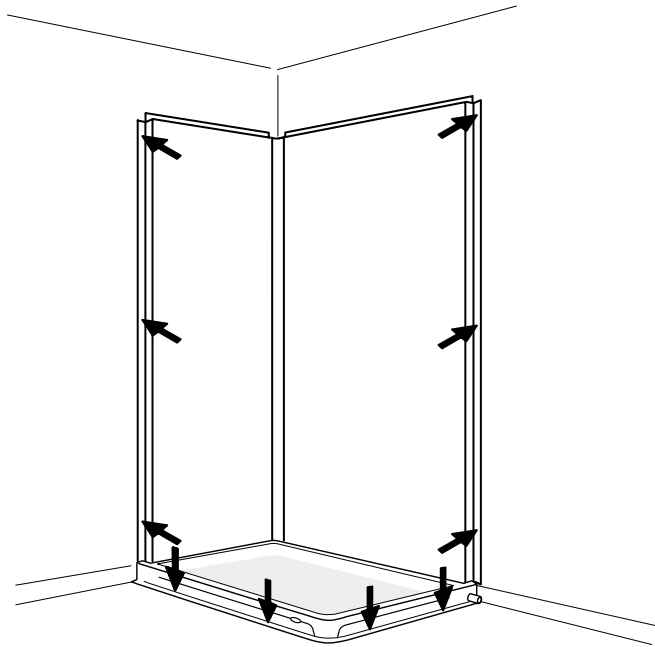


Fig 1.6

4. Final Fixing

Using screws supplied fix the tray to the floor and panels to the wall, as Fig 1.7.



Note: All items to be fixed to the wall panels are to be secured using the rubber flexi plugs supplied. Drill a 10mm hole to fit.

Fig 1.7