

# 4 easy steps to fit an ... Invaflo Shower Drain

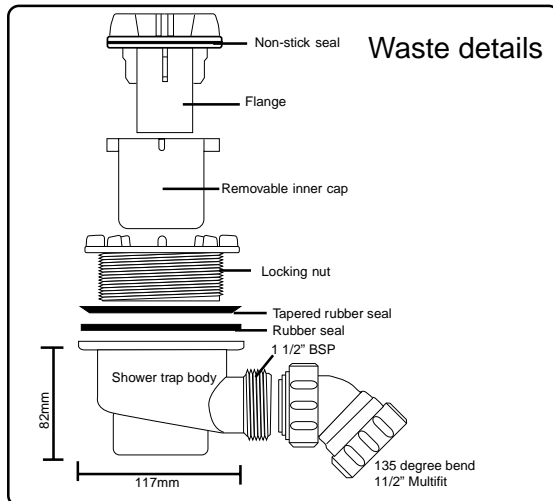
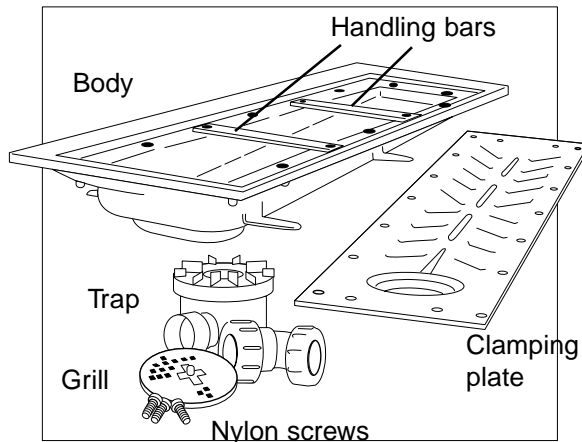
**Safety Note:** Please wear protective gloves when handling trays.  
Suitable for most flexible sheet flooring. Chiltern Invaflow recommend a thickness from 1.5mm to 2.5mm. No earth bonding materials required.

## 1. Break out concrete

Break-out concrete to suit size of Invaflo body and required depth of chosen trap and pipework.

Assemble waste trap as shown below right. Coat Invaflo base with silicone sealant above and below flat rubber seal.

Attach trap to body and place Invaflo into broken out area using metal handling bars in body. Connect trap to pipework.

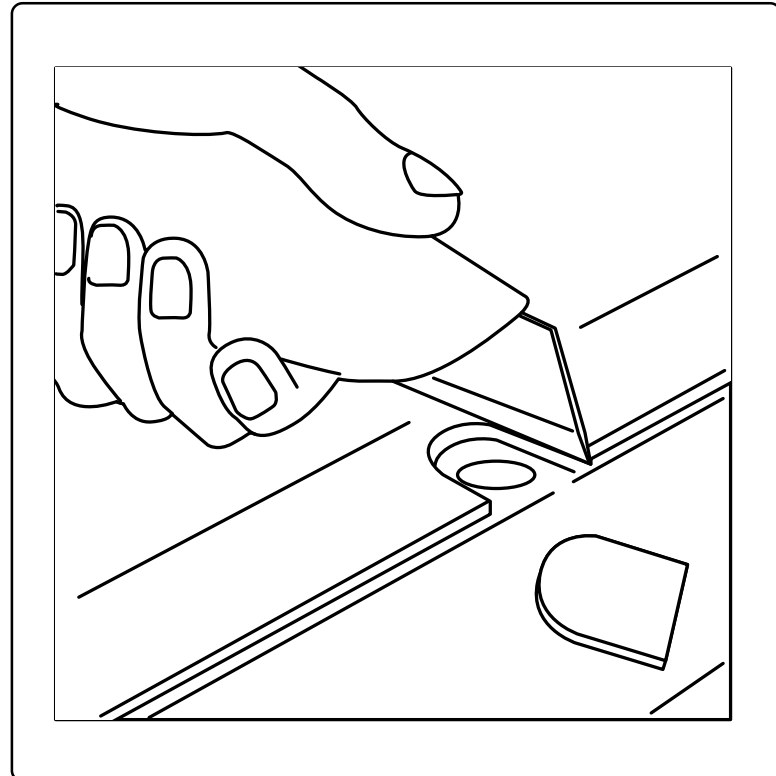


## 2. Grout Invaflo

Grout Invaflo body into position ensuring outer lip of body is level.

Lay screed to required fall and level with the top edge of drain lip. The body edge has a 3 degree angle, which can be used to assist in creating a fall. Allow 24 hours to set.

Remove metal handling bars from inside of body.



### 3. Lay flooring

Lay flexible flooring and dress over rim of body down onto screw fixing lip, cutting spaces in the material for each of the screw holes, as shown below.

### 4. Positioning clamping plate

Fix clamping plate in position with nylon screws provided. Do not over tighten.

Drop grill into position.

The Invaflo is available in a range of alternative sizes:-

Overall length 1750, 1400, 1250 & 1000 mm.

