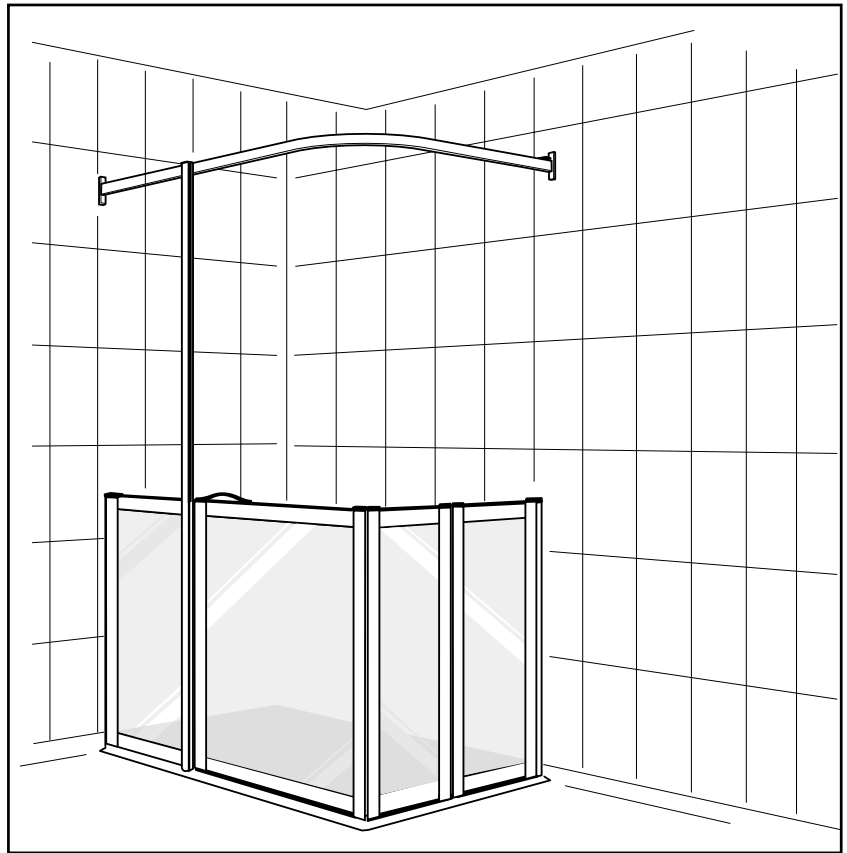


Level Access Showers

Westdale 655 & 760



Contents

| | |
|--|---|
| 7 Easy steps to fit a Westdale 655/760 Shower Tray | 1 |
| 6 Easy steps to fit a shower enclosure | 3 |
| Warranty..... | 5 |

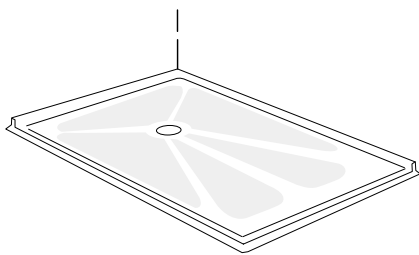
Installation Notes:

Safety note: Please wear protective gloves when handling trays.

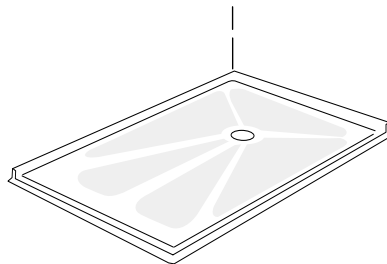
Consult your client for the position/height of the shower mixer valve/heater and install inlet water and/or electrical services.

Any electrical works should be carried out by a fully qualified Electrician to current IEE Regulations

During assembly protect shower base from scuffing using a piece of cardboard.
Power showers: Maximum water delivery flow rate 9lt/min (2 gal/min).



Left Handed Westdale
655/760



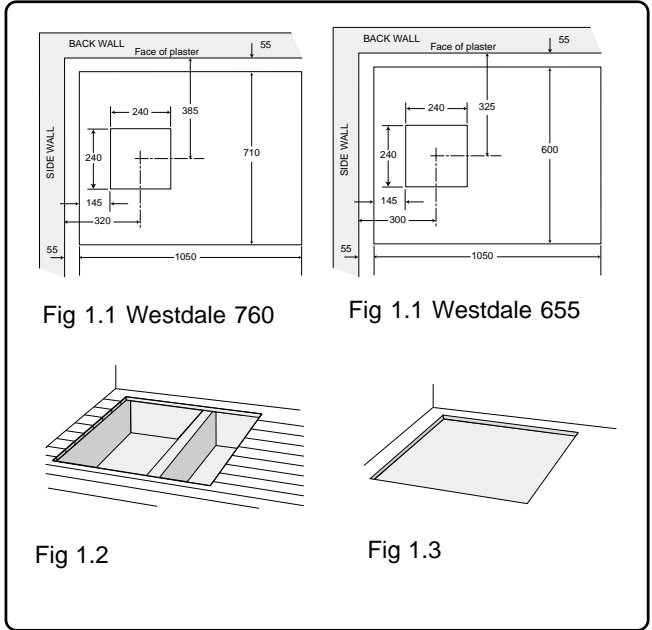
Right Handed Westdale
655/760

1. Floor removal

Preparing a wooden floor
 Mark dimensions (from face of plaster) as Fig 1.1. Cut out floorboards as Fig 1.2. Trim any obstructions such as floor joists in area around waste trap and pipe.

Preparing a concrete floor
 Break out screed or concrete to 20mm (3/4") depth to dimensions in Fig 1.3. You will also need to remove an area to a depth of 95mm x 125mm diameter to take the waste trap.

Note: To take up the space underneath the tray (to stop it from flexing) set the tray (showering area only) on a 3:1 dry sand and cement mix. Place tray on top for imprint, remove and position drain. Sprinkle surface with water, place tray on top and hold until secure. Always ensure the tray is level, as shown in Fig 2.1.

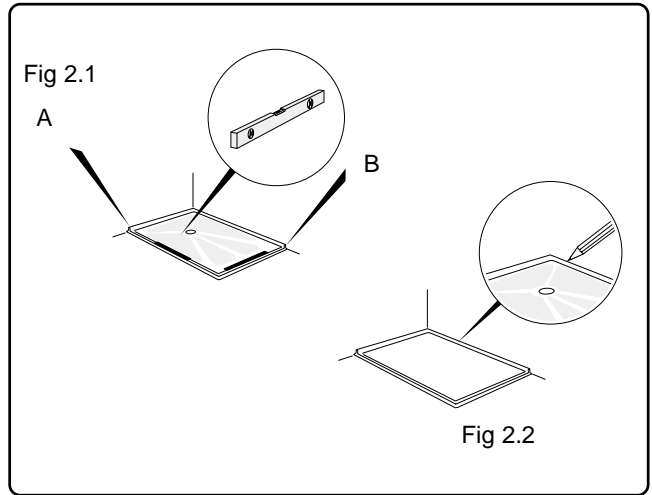


2. Marking plaster

Place the shower tray into the corner and ensure that the shower base is level along its width and length, as Fig 2.1.

Mark the plaster above the tiling lip, as Fig 2.2 and take the tray away.

Important:
 Tiles at A and B must be level and vertical to the tray to take the wall channels.



3. Remove plaster/waste connection

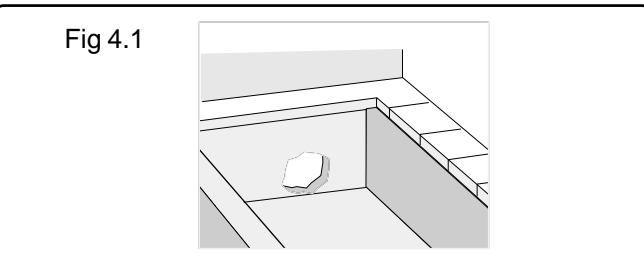
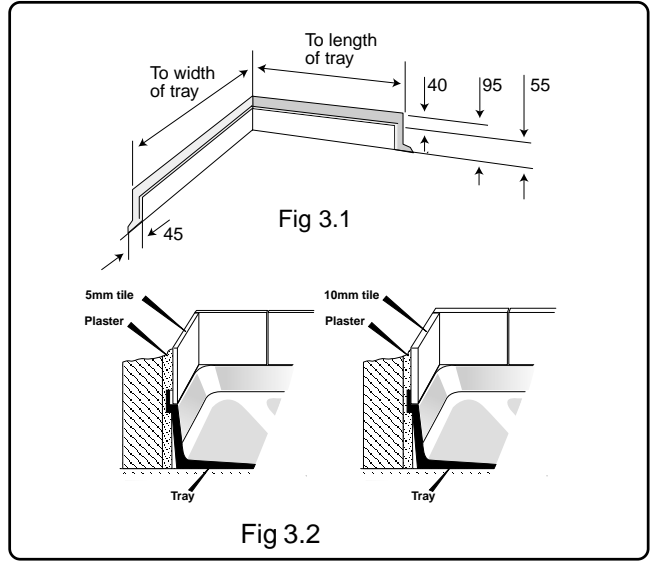
Remove the plaster below the mark you just made to a depth suitable to take the tiling lip, as Fig 3.1.

This will vary according to the thickness of the tile to be used, as Fig 3.2.

Decide on direction of waste outlet and break out wall if required, as Fig 4.1.

If it is a solid floor, break out a channel to take the waste pipe to the stack.

NOTE: Always ensure there is adequate fall of waste pipe to stack.



4. Checking level

Replace the shower tray in position. Check level as Fig 2.1. Insert packing strips to level if required.

Assemble waste trap as shown in Fig 5.1. Coat trap body and underside of shower base above and below seal with silicone sealant. Connect waste pipe to stack outlet ready for final fixing of shower tray. Drill and countersink the outer edges of the tiling lip at the points shown in Fig 6.1. Mark and plug the walls.

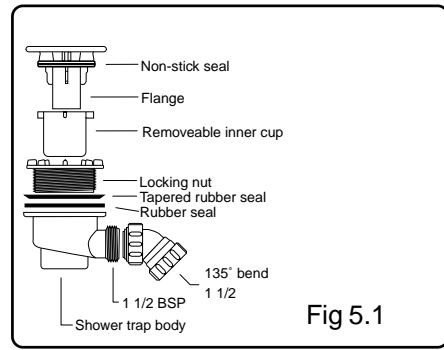


Fig 5.1

5. Final tray fixing

Always ensure the showerbase edges are flat and level before fixing. Fix outer edges of tiling lips securely with 1 1/2" x 8 Pozi-Drive zinc plated countersunk screws provided.

6. Making good

Cut to length & mitre aluminium edging strip as Fig 6.2 using a hacksaw.

NOTE: Aluminium strip must butt up to edge of tray as shown in Fig 6.3.

Drill and countersink front edge of tray and aluminium edging strip, as Fig 6.4. White cover strip should be fitted after floor covering has been laid. Check to make sure the tray is level before final fixing.

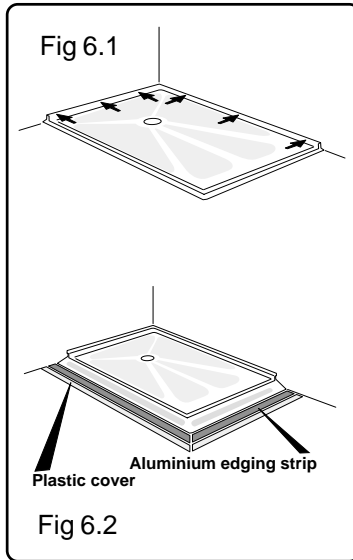


Fig 6.1

Aluminium edging strip
Plastic cover

Fig 6.2

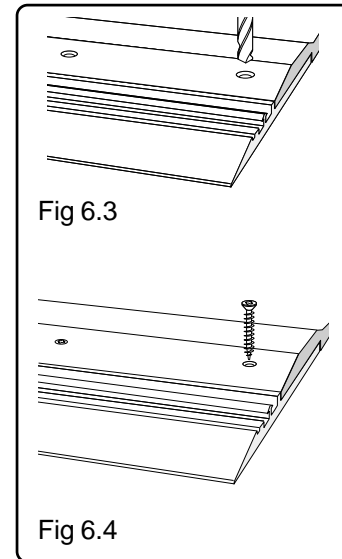


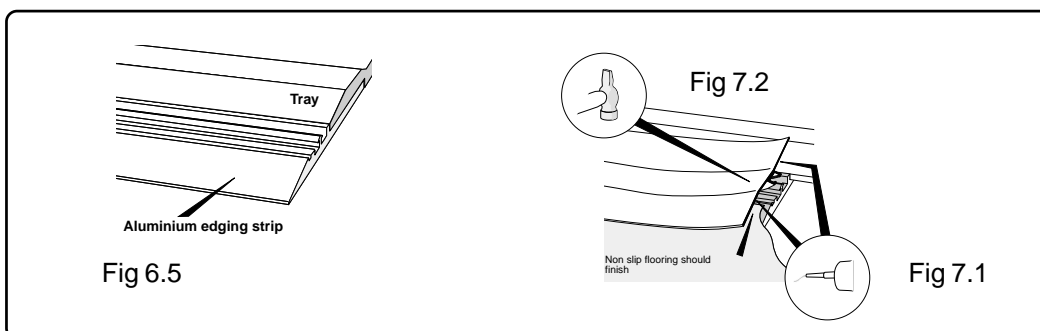
Fig 6.3

Fig 6.4

7. Before tiling

Ensure any plumbing and electrical work has been completed. Make good plaster work. Tile down to the angle of the tiling lip using waterproof adhesive and grout.

Anti-slip flooring should finish over the aluminium edging strip as Fig 6.5. Apply a bead of mastic to tray edge and edging strip as shown in Fig 7.1. Finally knock the plastic trim cover into place, taking care to lock the components together as Fig 7.2.



Tray
Aluminium edging strip

Fig 6.5

Fig 7.2

Non slip flooring should finish

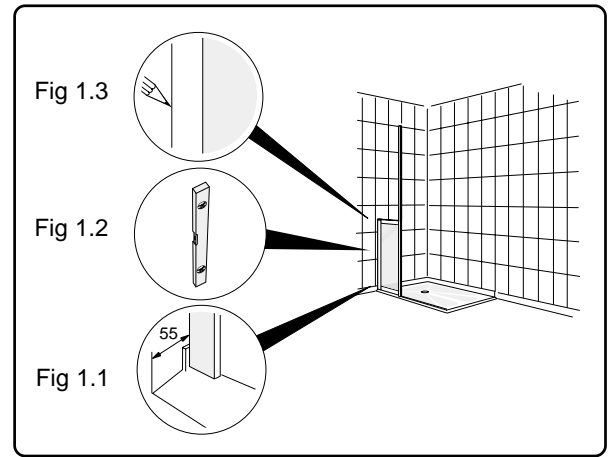
Fig 7.1

1. Marking wall

Place the Westdale jamb with full height pole onto the side of the tray.

Note: Ensure bottom fixing plate with holes facing outwards is in position as Fig 3.2. Position jamb approximately 55mm from the edge, as Fig 1.1. Make sure it is vertical as Fig 1.2 and mark the wall alongside the wall channel as Fig 1.3

Note: Pole supplied separately.

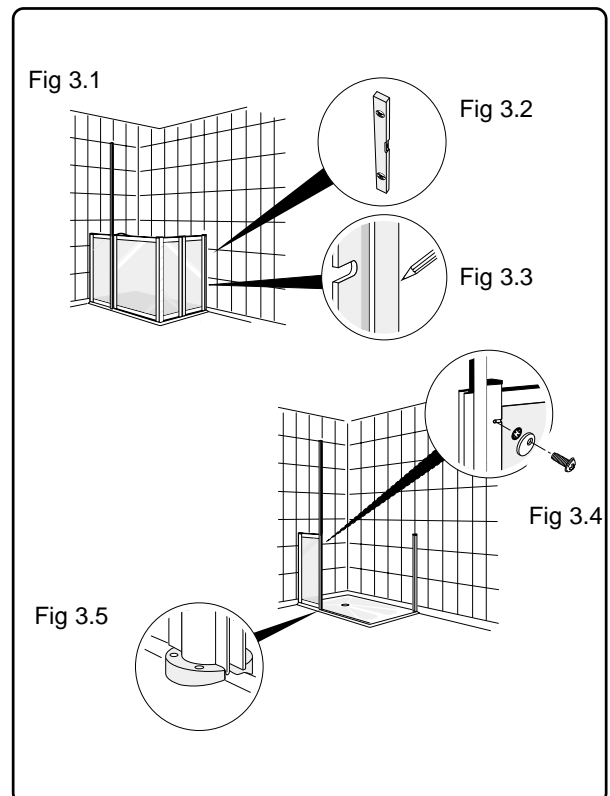
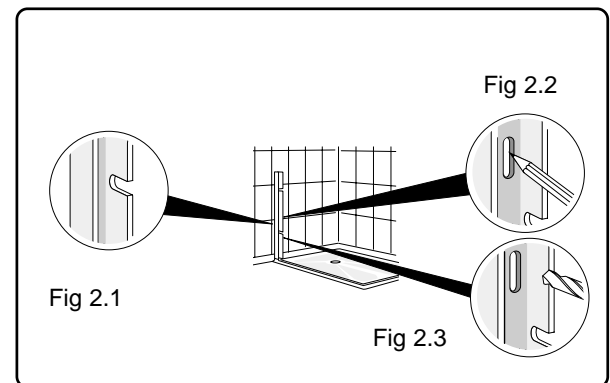


2. Drilling the wall/fixing jamb

Remove channel from jamb and place on wall as Fig 2.1. Using a pencil mark through the slots and drill the wall 50mm deep (2") using a 5.5mm drill, as Fig 2.2 & 2.3. Apply a film of silicone sealant to the inside edge of the wall channel.

Secure to wall with wall plugs and 1 1/2" x No 8 screws.

Push panel into wall channel. Fasten loosely with self tapping screws, slot covers and shakeproof washers provided as Fig 3.4. Repeat with pole section ensuring fixing plate is in position as Fig 3.5. Check panel is level horizontally and vertically. Screws are fully tightened later. The pole fixing plate is also screwed in position later.



3. Positioning the tri-fold door

Place the tri-fold door onto the tray in its fully closed position ensuring the bottom seal is in contact with the tray, as Fig 3.1.

Ensure the wall channel is flat against the wall and is to the extreme left of the tray slot. This is for a left hand tray. It is on the right for a right hand tray.

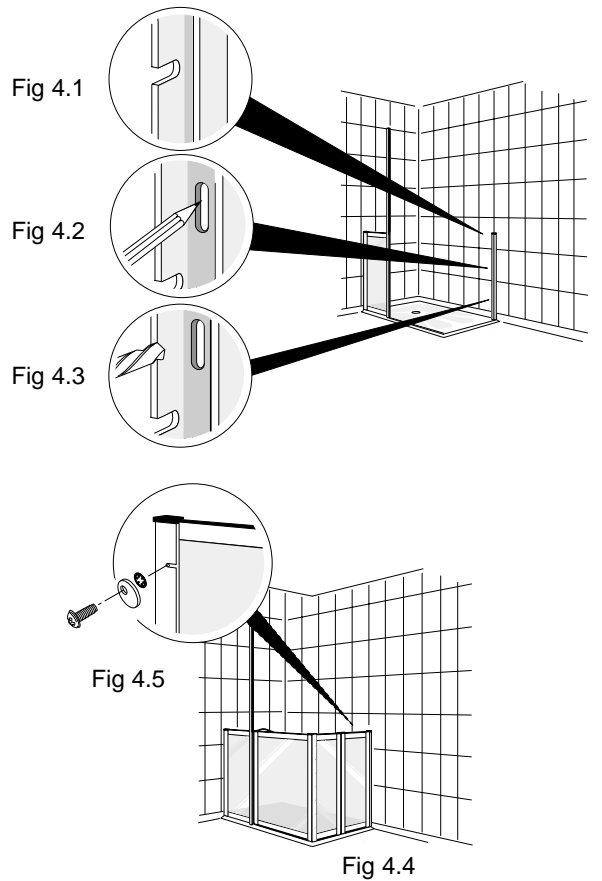
Check the wall channel is vertical, as Fig 3.2 and mark the wall alongside the channel, as Fig 3.3.

4. Fixing tri-fold doors

Remove the tri-fold doors from the tray and and slide off the wall channel. The slots on the wall channel should be facing into the shower area as shown in Fig 4.1. Using a pencil mark through the slots and drill the wall 50mm deep (2") using a 5.5mm drill. Apply a film of silicone sealant to the inside edge of the wall channel and secure to wall, as Figs 4.1-4.3.

Replace tri-fold doors, as Fig 4.4. Fasten loosely with self tapping screws, slot covers and shakeproof washers provided as Fig 4.5. Check magnetic strips are in contact with each other. Adjust doors to open and close correctly, ensuring the bottom seal is in contact with the tray.

When satisfied that doors are correctly adjusted. Fully tighten all screws, slot covers and shakeproof washers. Drill and fix pole fixing plate to tray with cheesehead screws provided, as Fig 4.6.

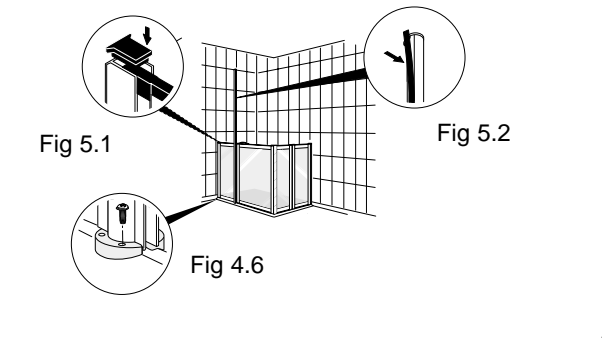


5. Fitting end caps

Fit end caps as shown in Fig 5.1.

Note: On final fixing black end caps need to be secured in position using silicone sealant.

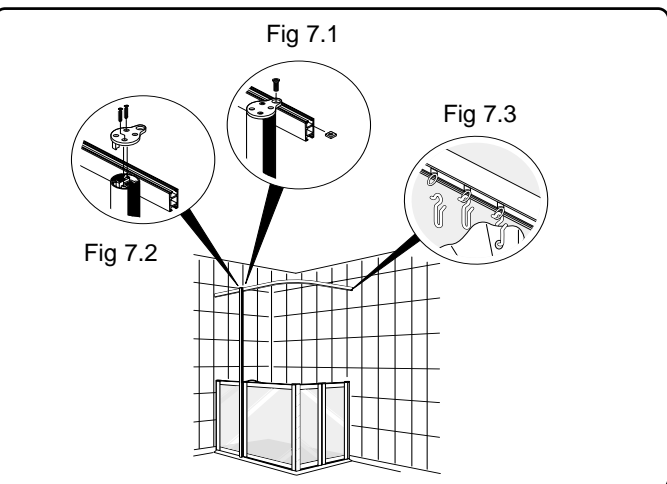
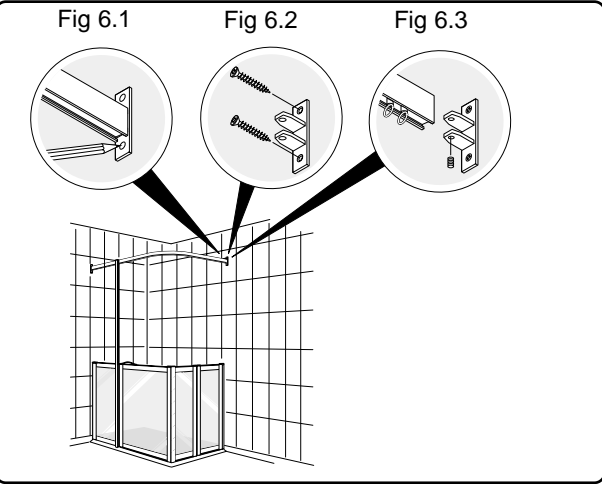
Fit pole cover strips, as Fig 5.2.



6. Fit curtain rail brackets and curtain

Position curtain rail at height to connect to bracket at top of grab pole. Check level & mark walls for fixing wall brackets, as Fig 6.1. Drill wall with 5.5mm drill to a depth of 2" (50mm). Fix curtain rail brackets to wall with plugs and 1 1/2" x No 8 screws, as Fig 6.2. Load hooks and glides into bottom channel of curtain rail. Place 1 M5 nut in top channel of curtain rail as Fig 7.1. Attach to brackets and tighten with the allen key provided, as Fig 6.3.

Check pole is vertical. Using M5 X 10mm stainless steel bolt attach to curtain rail with nut already in place, as Fig 7.1. Using 3/4" x 6's stainless steel screws secure pole bracket to top of pole rail, as Fig 7.2. Attach shower curtain to hooks on rail, as Fig 7.3.



If you require additional help

Chiltern Invadex (UK) Limited, 126 Churchill Road
 Bicester, Oxfordshire OX26 4XD
 Tel: 01869 365500
 Fax: 01869 365588
 Email: technical@chilterninvadex.co.uk

Warranty

Your Chiltern Invadex Shower Enclosure carries a 12 month warranty from the date of purchase (for guarantee on shower unit see manufacturers details), subject to the following:-

1. Should you experience any problems with our workmanship or materials within the first 12 months period, please contact your point of purchase.
2. Repairs made during the warranty period will be carried out free of charge, provided the product has been used strictly in accordance with the guidelines set out in this user guide.
3. Our warranty does not cover replacements, adjustments or repairs which may be required as result of normal wear and tear, wilful or accidental damage, misuse, neglect or any other cause which is beyond the control of Chiltern Invadex.
4. Modifications and repairs made to this product by unauthorised persons will render the warranty void.
5. Only parts manufactured or approved by Chiltern Invadex shall be used to repair this product. Use of unauthorised parts will invalidate all warranties and remove all liability from Chiltern Invadex for the safety of this product.
6. Chiltern Invadex shall in no event be liable for any damages, costs or expenses arising from any claim made under this warranty (save for any legal liability of Chiltern Invadex for death or personal injury resulting from the company's negligence in respect of its products).
7. Faults due to inadequate cleaning, limescale or other water impurities including debris not flushed from the supply pipe work prior to connection are excluded from this warranty.
8. This warranty does not affect your statutory consumer rights.

The Shower Tray has a 25 year manufacturing fault warranty.

Level Access Showers

Westdale 655 & 760



Chiltern Invadex (UK) Limited
126 Churchill Road
Bicester
Oxfordshire
OX26 4XD

Tel: 01869 365500
Fax: 01869 365588
Email: sales@chilterninvadex.co.uk

To obtain a copy of this guide in large print,
please contact customer services on 01869
365500 opt 1 or email:
sales@chilterninvadex.co.uk