

# New Tilt in Space Shower Cradle



Chiltern Invadex are proud to introduce the Washington Tilt in Space Shower Cradle. The Washington Cradle was introduced in 2001 and was designed specifically for users with multiple sclerosis, cerebral palsy, motor neurone disease and clients with fixed hips, legs or contractures. It is also particularly beneficial for those experiencing involuntary movements and rapidly deteriorating body conditions.

This level of support has now been combined with the benefits of a tilt in space shower chair to create a comfortable and secure bathing solution which allows simple adjustment of the fabric creating a hammock effect to support the user as required. The buckled fabric is removable to allow for hygienic laundering and includes coloured edging strips to provide a clear indication of size.

The cradle provides a tilting angle of between 5 and 35 degrees. It is provided with an electrostatically coated stainless steel frame which provides a durable, corrosion resistant finish and a dual gas spring assembly which allows smooth operation via a single rear mounted control handle.



The photographs show the chair with optional head cushion and side rails which can be added for extra security, these can be combined with a range of lap straps, head and thoracic supports to produce a safe and comfortable bathing experience.

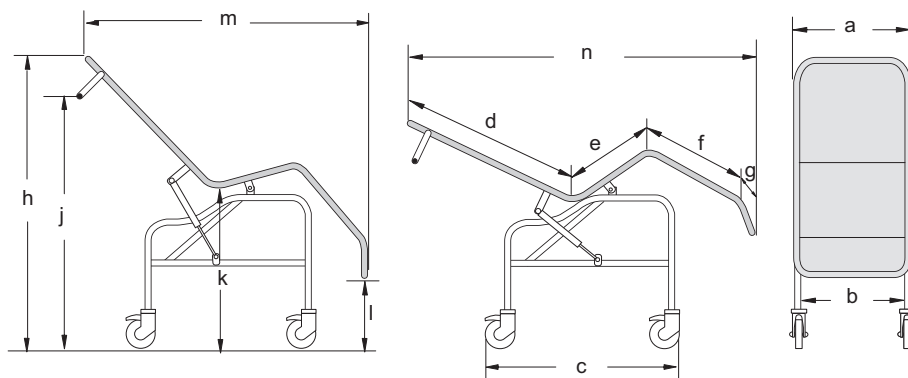
A toileting aperture is available upon request.

The frame and fabric is available with colour options. Please call for details.



Non-tilting model Washington Shower Cradle (please call for details)

Where additional customisation is required, our experienced surveyors can assist in the production of a user specific specification for manufacture by our in-house fabrication team.



	a	b	c	d	e	f	g	h	j	k	l	m	n
Paediatric	380	495	780	550	280	270	150	1005	885	650	410	820	1080
Small	500	510	780	620	280	400	150	1170	1020	660	300	820	1210