

# 8 easy steps to fit a ...EasiDec Wet Floor Enclosure

## 1. Curtain/rail only

**EasiDec Wet Floor with curtain rail & curtain only**

Go to step 7.

## 2. Bolster

If applicable, bolster(s) and wall channel(s) should already be fixed in position, as shown in the bolster section fitting instructions shown overleaf.

## 3. Fixing Jamb panel

**EasiDec Wet Floor with fixed Jamb panel and pole**

Push panel into wall channel as Fig 1.1. Fasten loosely (on the inside) with self tapping screws, slot covers and shakeproof washers provided as Fig 1.2.

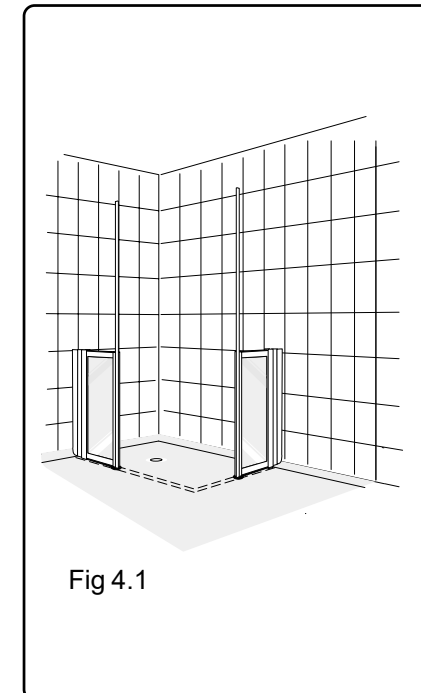
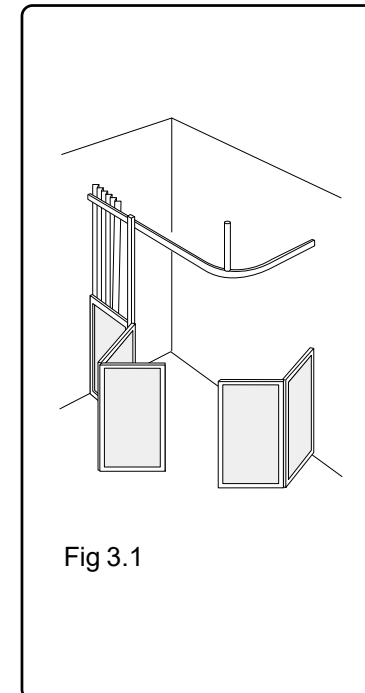
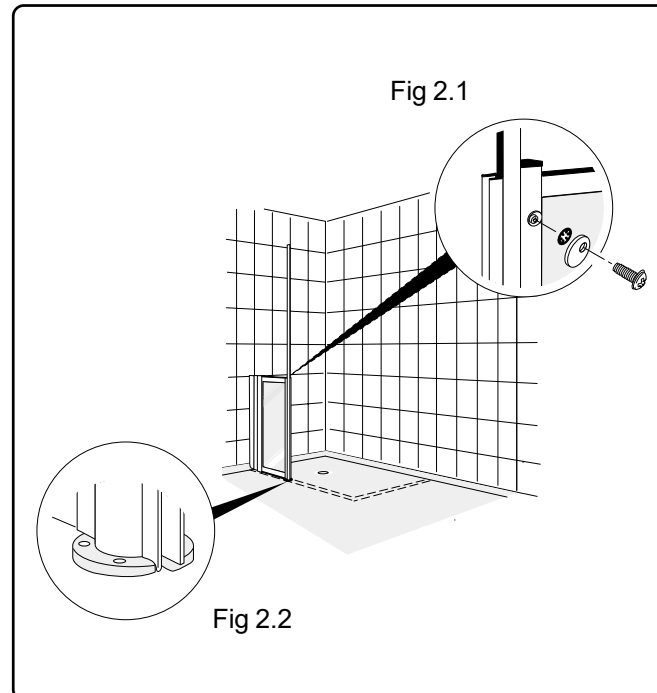
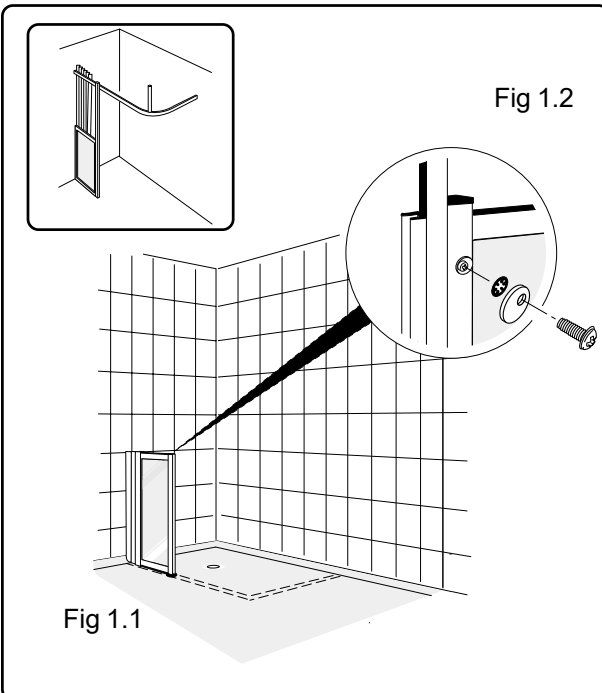
Push pole section on to panel ensuring fixing plate is in position as Fig 2.2 (if required fit second jamb panel and pole section, as Fig 4.1). Ensure holes on the fixing plate are on the outside of the showering area as Fig 2.2. Check panel is level horizontally and vertically and ensure the bottom seal is in contact with the floor.

**If no other Jamb panels or doors are required** - fully tighten all screws, slot covers and shakeproof washers. Drill floor/EasiDec and apply a bead of silicone sealant into the holes just made. Fix pole fixing plate to flooring/EasiDec with cheesehead screws provided. Drill pilot holes (2) and fasten final fixing screws (No 8 x 1/2"). Go to steps 7 and 8.

**If additional Jamb panels or doors are required** - do not fully tighten screws - go to steps 4&5.

## 4. Position door(s)

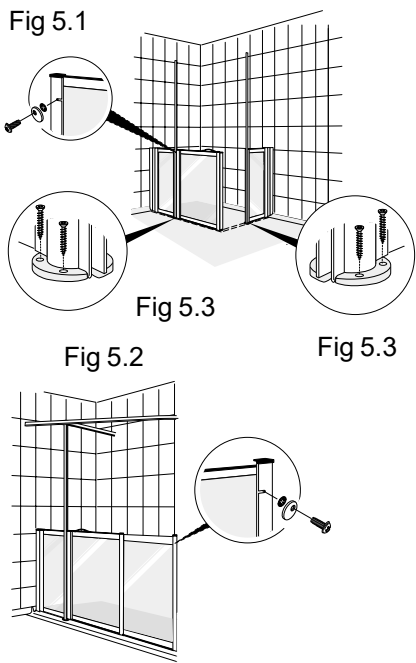
Push hinged section of doors into the appropriate channel to suit enclosure option, e.g Fig 3.1. Fasten loosely with self tapping screws, slot covers and shakeproof washers.



## 5. Fixing pole/doors

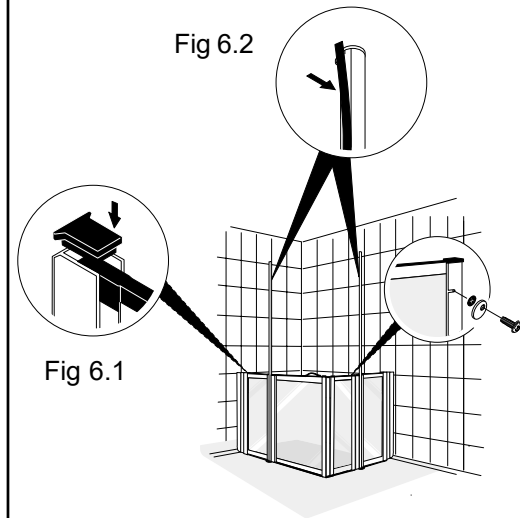
Adjust doors to open and close correctly, ensuring bottom seal is in contact with the floor. When satisfied fully tighten all screws, slot covers and shakeproof washers as Fig 5.1/5.2.

Drill floor/EasiDec at pole base and apply a bead of silicone sealant into the holes just made. Fix pole fixing plate to flooring/EasiDec with cheesehead screws provided, as Fig 5.3.



## 6. Fitting end caps

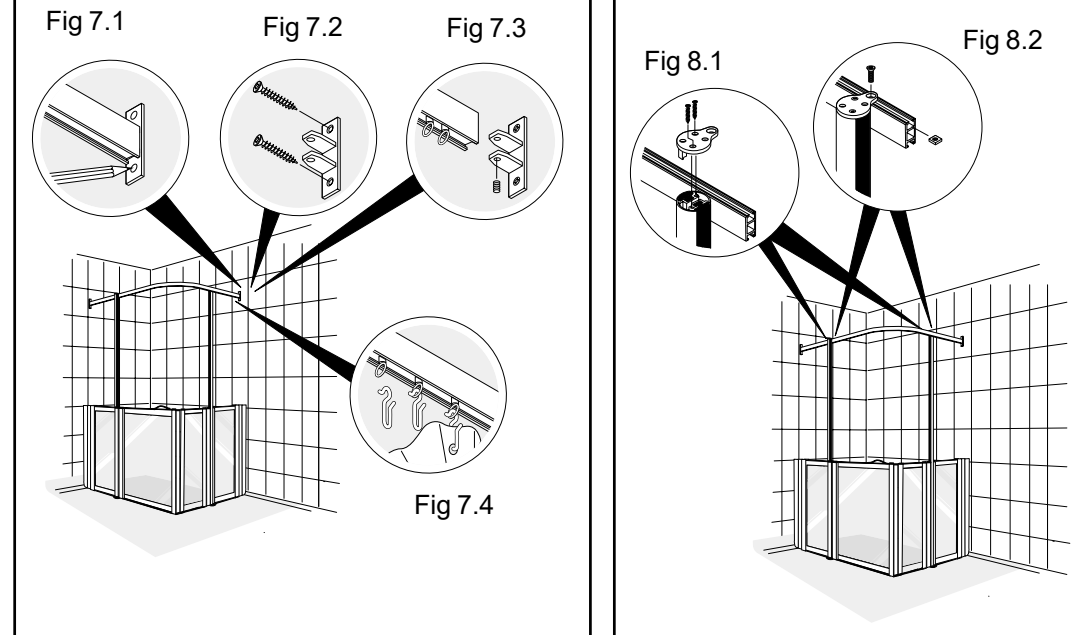
Fit end caps as shown in fig 6.1. Fit pole cover strips, as Fig 6.2. On final fixing end caps need to be secured in position using silicone sealant.



## 7. Fit curtain rail brackets and curtain

Cut curtain rail to suit tray size. Position curtain rail at height to connect to bracket at top of grab pole (if applicable - or position at height to suit curtain drop). Check level & mark walls for fixing wall brackets, as Fig 7.1. Drill wall with 5.5mm drill to a depth of 2" (50mm). Fix curtain rail brackets to wall with plugs and 1 1/2" x No 8 screws, as Fig 7.2. Load hooks and glides into bottom channel of curtain rail. Place 1 M5 nut (or 2 as appropriate) in top channel of curtain rail as Fig 8.2. Attach to brackets and tighten with the allen key provided, as Fig 7.3. **Note:** Attach short rail when using straight curtain rail option, as Fig 5.2.

Check pole is vertical. Using M5 X 10mm stainless steel bolt attach to curtain rail with nut already in place, as Fig 8.1. Using 3/4" x 6's stainless steel screws secure pole bracket to top of pole rail, as Fig 8.2. Attach shower curtain to hooks on rail, as Fig 6.4.



# EasiDec Wet Floor Bolster & enclosure Installation Guide

## Installation Notes:

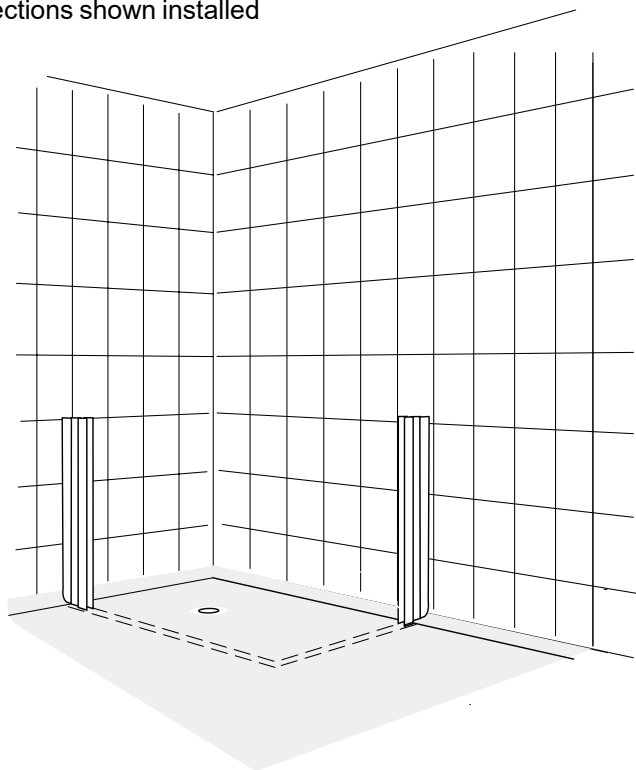
These instructions are generic to cover all EasiDec installations.

Chiltern Invadex doors and enclosures are designed solely for use with the Chiltern Invadex Bolster section, which is profiled to suit the coving in a wet floor situation.

**Bolster(s) included with the enclosure package as standard to suit.**

**Enclosure installation instructions shown overleaf.**

EasiDec Bolster & wall channel sections shown installed



## 4 easy steps to fit a ...

### 1. Check the contents

Carefully unpack the Bolster sections and check for any damage. Chiltern Invadex can take no responsibility for damage once the Bolster is installed.

Damage must be notified to the company in line with its Terms and Conditions of sale.

### 2. Positioning the Bolster

Bolster installation details are attached to this guide. Use this information when positioning the bolster section. The bolster section (s) should be positioned to suit the size of the EasiDec installed.

Place the bolster against the wall in position. Make sure it is vertical as Fig 1.1 and mark the wall alongside the bolster as Fig 1.2.

Using a pencil mark through the slots as Fig 1.3 and drill the wall 50mm deep (2") using a 5.5mm drill as Fig 1.4. Apply a film of silicone sealant to the inside edge of the bolster.

Fig 1.2

Fig 1.3

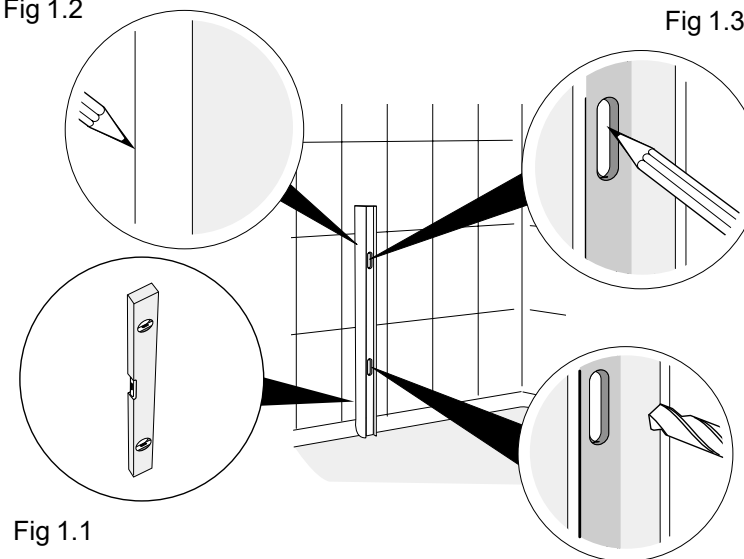


Fig 1.1

Fig 1.4

# Wet Floor Bolster section

## 3. Securing the bolster/wall channel

Push the wall channel which holds the door/jamb in position against the bolster and secure both sections to the wall with wall plugs and 2" x No 8 screws, as Fig 2.1. Ensure the slots on the wall channel(s) face the showering area.

Repeat for other side (if applicable) as Fig 3.1.

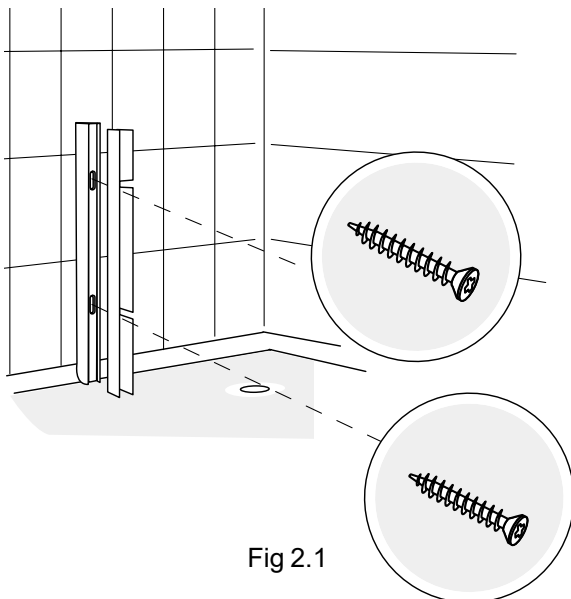


Fig 2.1

## 4. Securing the jamb panel/door

If applicable, fit the jamb panel or door using the fitting instructions **overleaf**.

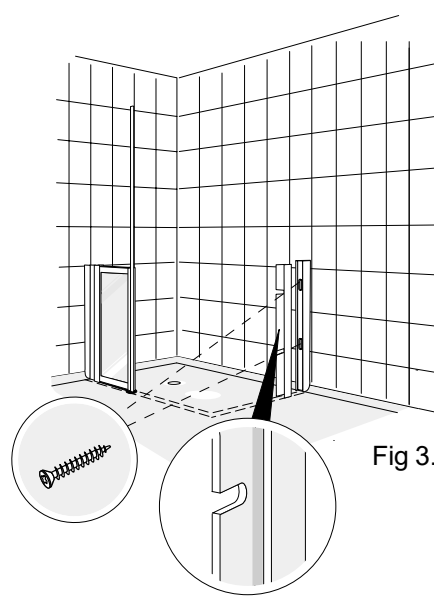


Fig 3.1

If you require additional help

126 Churchill Road Bicester Oxon OX26 4XD  
Tel: 01869 365500 Fax: 01869 365588

  
**Chiltern  
Invadex**  
Solutions for Living