



British Manufacturer

# Showering & Bathing Range



# Shower Chairs and Cradles



Auto WC, bariatric and paediatric models available



Paediatric Range



Chiltern Invadex (UK) Limited Unit 6C Thorpe Drive, Banbury, Oxfordshire OX16 4UZ

01869 365500

sales@chilterninvadex.co.uk

www.chilterninvadex.co.uk

Paediatric Chair and Cradle Ranges  
available, see page 21 for details



Paediatric tilting cradle with head support  
shown in Traffic Red with special castors



# Brochure Contents

Page	Category
	<b>Introduction</b>
<b>1-6</b>	<b>AquaMaster</b>
1-2	Standard Models
3-4	Auto WC Models
5	Dimensions
6	Accessories
7-8	Bariatric Model
<b>9-11</b>	<b>TransAqua</b>
9-10	Chairs
11	Dimensions
11	Accessories
<b>12</b>	<b>Washington Shower Cradle</b>
<b>13-21</b>	<b>Tilt in Space Range</b>
13-16	Tilt in Space Chair
17	Dimensions
18	Accessories
19	Tilt in Space Bariatric Chair
10-21	Tilting Cradle
<b>22-23</b>	<b>Paediatric Range</b>
22	AquaMaster
22	Tilt in Space Chair
23	Tilt in Space Cradle
<b>24-25</b>	<b>Bespoke</b>
<b>26-27</b>	<b>Auto WCs</b>
26	Closomat Palma Vita
27	Geberit AquaClean Mera Care



Established in 1974, the Chiltern brand has been manufacturing equipment at our Oxfordshire facility for over 40 years. In private ownership following acquisition in 2009, family ethos and values are encompassed throughout our business and embodied by our long serving staff in their personable approach and exceptional customer service.

Our current range is the result of over 40 years of research and development, which we have combined with the knowledge and experience of healthcare professionals, users and carers to create a range of shower chairs and cradles which provide comfort, security and value for money.

Experience has shown that over time users needs change and replacement equipment is not always a viable solution. In response to this and the increasing strain placed upon Local Authority and NHS budgets, we aim to develop equipment which can be adapted.

Our range of shower chairs feature an intuitive modular design which allows the specification to be updated to suit the user. Frame height, seats, armrests, backrests, footrests and wheels can all be easily amended, whilst support straps, padding and head supports can be added at any point making these models ideal for users with long term needs or living with degenerative conditions.

Shower cradles have been designed to allow for the future addition of side support rails, a range of postural support padding options, straps and harnesses.

All models can be provided with leg extension pins to increase the seat height by 1" or 2" reducing the necessity, cost and leadtimes associated with bespoke models. These can be removed to facilitate re-issue of the chair at the standard height. Pictured right, extension pins to suit AquaMaster Range.



In order to ensure that the standard range of equipment fully meets the users needs, our team of experienced surveyors are able to conduct, free of charge, no obligation home visits to provide demonstrations of the equipment.

Where a complex case is identified, we retain an in-house fabrication team who have over 20 years experience in the manufacture of bespoke framework to suit individual needs.

All models have been carefully designed to offer user comfort and safety. Each model has been subject to rigorous safety and durability testing in accordance with current statutory requirements.

Should you wish to discuss a technical requirement, require clarification of any point or arrange for a home visit, please contact our customer services team on 01869 365500 opt 1 or by email to [sales@chilterninvadex.co.uk](mailto:sales@chilterninvadex.co.uk)

The AquaMaster range features a rigid one piece frame with interchangeable seats, armrests, backrests and footrests.

The range features swing away armrests and footrests to aid transfer and comfortable padded seat and backrest.

A large number of options and accessories are available allowing chairs to be configured to suit individual needs. For complex cases, bespoke frames and accessories can be manufactured to meet user requirements.






The AquaMaster range has a maximum user weight of 200kg (31 stone) (440lb).

## Standard Models



A02 Static Chair

### Frame





-  Rust free powder coated frame complete with antimicrobial additive
-  17", 19" and 21" width options
-  Frames can be fitted with 1" or 2" height extension pins as standard, preventing the need for a bespoke frame
-  Geberit compatible models available to request
-  Bespoke frames can be manufactured to suit individual circumstances



A06 Attendant Propelled

Bariatric model included in standard range see page 7 for full details




### Seat

-  Upholstered seat, sealed against water ingress
-  14 seat variations including extended and skirted seat options
-  Easily removable for cleaning
-  Can be specially made to suit user needs, including pressure relief foam.





A08 Self Propelled






### Armrests

-  Swingaway armrests to aid transfer
-  Straight, wide & half wide options
-  PU foam padding for comfort




### Footrests

-  Swingaway, removable and height adjustable
-  Available as standard, short or 90 degree

### Wheels

-  Solid non-puncture wheels
-  20", 22" and 24" wheel size options
-  Removable wheel rims to suit narrow doorways
-  Simple to use, easy to reach brake lever
-  Can be configured to suit amputee users (i.e. long wheel base)

### Castors

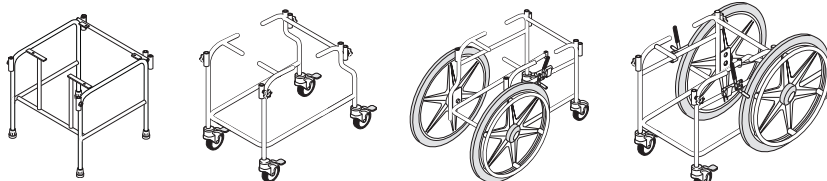
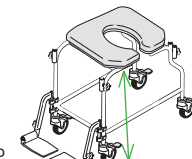
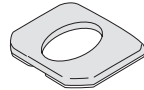
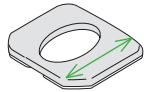
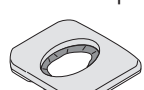


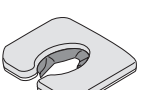
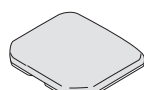
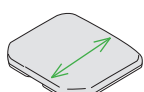
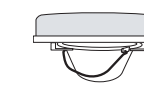

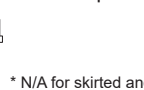
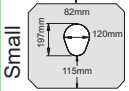
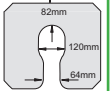
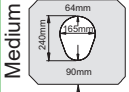
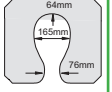
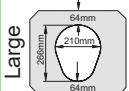
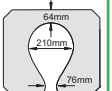
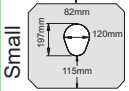
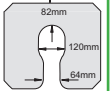
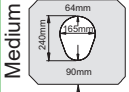
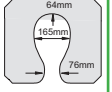
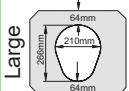
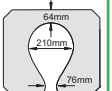
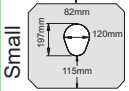
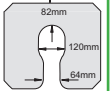
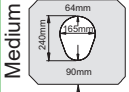
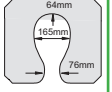
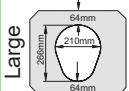
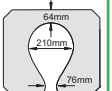
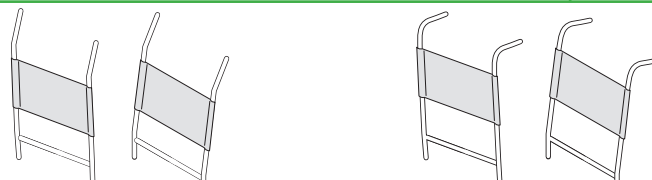
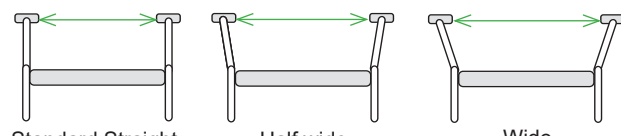
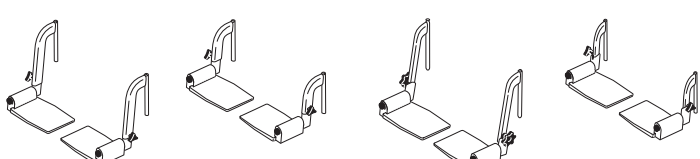
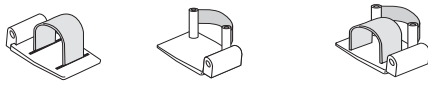
-  Rust free nylon castors
-  4 braked castors supplied
-  Optional directional lock castor



A11 Self Propelled





## Standard AquaMaster Selector

Select your requirements from the below standard options. Custom made AquaMasters can be specially manufactured to suit individual needs, for guidance please contact our technical team on 01869 365500 or at sales@chilterninvadex.co.uk.

<b>Frame Options</b>	 <p style="text-align: center;">A02                      A06                      A08                      A11</p>											
<b>Width &amp; Height</b>	<p>Between Armrests</p> <p>17" 19" 21"</p>	<p>To underside of seat*, 19.5" (500mm front) 19" (480mm rear)</p> <p>Add + 1" (25mm) Add + 2" (50mm) *add 60mm for measurement to top of uncompressed seat</p>										
<b>Seat Options</b>	<p>Aperture</p>  <p>Is an extension required?</p>  <p>Is a skirt required?</p> 	<p>Horseshoe</p>  <p>Is an extension required?</p>  <p>Is a skirt required?</p> 	<p>Flat Padded</p>  <p>Is an extension required?</p>  <p>Is a skirt required?</p> 	<p>Side Access</p>  <p>Are commode sliders required?*</p>  <p>* N/A for skirted and side access seats</p>	<p>Aperture sizes</p> <table border="1"> <tr> <td rowspan="3" style="writing-mode: vertical-rl; transform: rotate(180deg);">Small</td> <td></td> <td></td> </tr> <tr> <td></td> <td></td> </tr> <tr> <td></td> <td></td> </tr> </table>	Small						
Small												
												
												
<b>Backrest Options</b>	 <p style="text-align: center;"> <span style="margin-right: 100px;"><i>Straight handle</i> Upright    5 degree recline</span> <span><i>Push handle</i> Upright    5 degree recline</span> </p>											
<b>Armrest Options</b>	<p>Standard      370mm      420mm      470mm</p>  <p>17" illustrated 19" + 50mm 21" + 100mm</p> <p style="text-align: center;">Standard Straight                      Half wide                      Wide</p>											
<b>Footrest Options</b>	 <p style="text-align: center;">90 degree                      Short 90 degree                      18 degree                      Short 18 degree</p> <p>Are foot supports required?</p>  <p style="text-align: center;">Toe strap                      Heel strap                      Toe &amp; heel strap</p>											

## AquaMaster Auto Range





The AquaMaster Auto range has all of the features of the standard range specifically proportioned to be the perfect shower chair to partner Closomat and Geberit Auto WCs\*. Its skirted level seat, upright pram handle backrest and special dimensions allow the chair to be placed directly over the auto WC.

-  200kg safe working load
-  Skirted horseshoe or aperture seat as standard
-  Can be manufactured to suit most auto WC models
-  Stainless steel, white coated frame with added antimicrobial agent








A06C Attendant Propelled



-  17", 19" and 21" widths available
-  Footrest and armrest options
-  Available as a bespoke model
-  1" and 2" height extensions available to suit WC plinth

## A11C Self Propelled

-  24" Bariatric bench
-  Safe working load of 55 stone
-  Optional arms, backrest and floor fixing kit
-  Adjustable feet to provide stability on tiled or uneven floors
-  Available as a bespoke model



A02C Bariatric Bench



Auto WC compatible tilt in space shower chair.

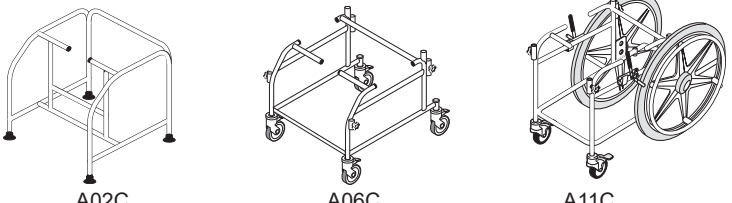
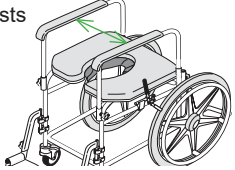
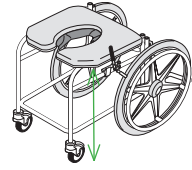
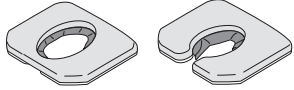
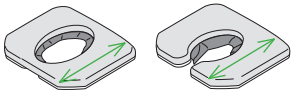
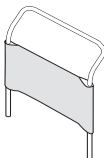
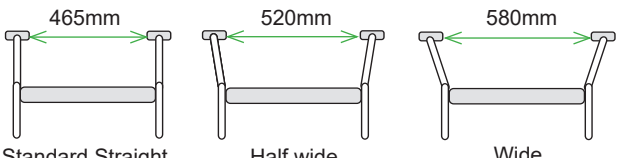
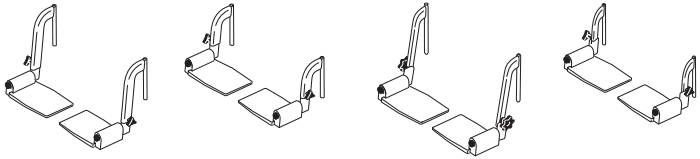
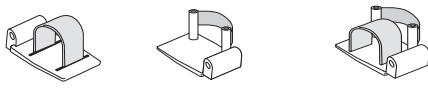
18" and 21" standard models.

See page 14 for full details

\* The AquaMaster Auto Range is suitable for use with current Closomat and Geberit auto WCs. Bespoke models can be manufactured to suit past models, Biobidet and other auto WC pans. Please contact us for full details.

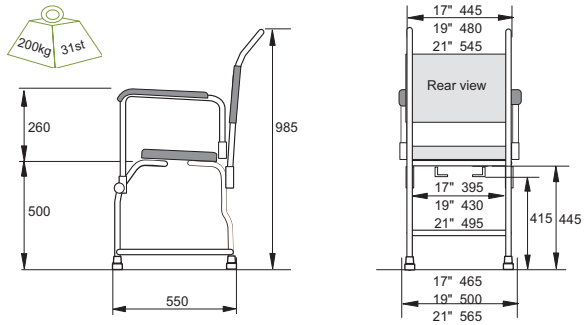
## AquaMaster Auto Range Selector

Select your requirements from the below standard options. Custom made AquaMasters can be specially manufactured to suit individual needs, for guidance please contact our technical team on 01869 365500 or at sales@chilterninvadex.co.uk.

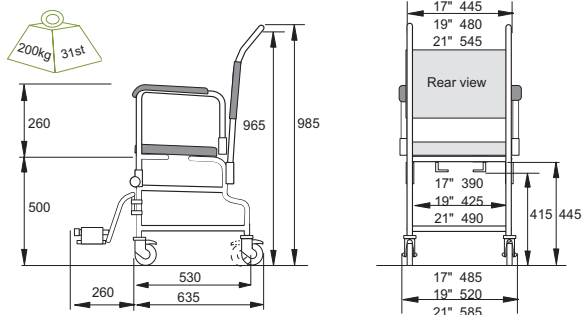
<h3>Frame Options</h3>	 <p style="text-align: center;">A02C                      A06C                      A11C</p>		
<h3>Width &amp; Height</h3>	<p>Between Armrests 17" 19" 21"</p> <p>A02C 24" Seat</p>  <p>To underside of seat*; 17" (440mm) Add + 1" (25mm) Add + 2" (50mm) *add 60mm for measurement to top of uncompressed seat</p> 		
<h3>Seat Options</h3>	<p>Aperture      Horseshoe      (skirted as standard)</p>  <p>Is an extension required?</p>  <p>Standard 394mm Ext + 50mm Ext + 75mm</p>		<h4>Aperture sizes</h4>  <p><b>Small</b> 82mm, 120mm, 115mm, 64mm, 197mm</p> <p><b>Medium</b> 64mm, 165mm, 90mm, 76mm, 240mm</p> <p><b>Large</b> 64mm, 210mm, 64mm, 76mm, 285mm</p>
<h3>Backrest Options</h3>	 <p style="text-align: center;"><i>Pram handle</i></p>		
<h3>Armrest Options</h3>	<p>17" illustrated 19" + 50mm 21" + 100mm</p>  <p style="text-align: center;">Standard Straight      Half wide      Wide</p>		
<h3>Footrest Options</h3>	 <p style="text-align: center;">90 degree      Short 90 degree      18 degree      Short 18 degree</p> <p>Are foot supports required?</p>  <p style="text-align: center;">Toe strap      Heel strap      Toe &amp; heel strap</p>		

## AquaMaster Standard Range

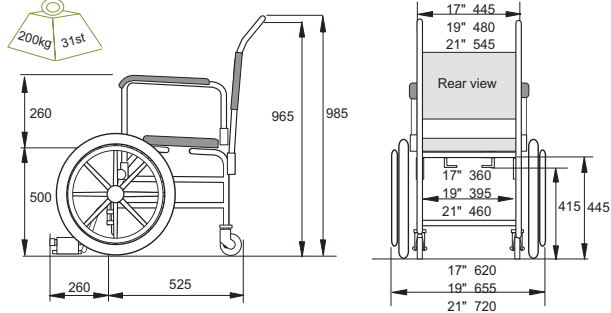
A02 Static Chair



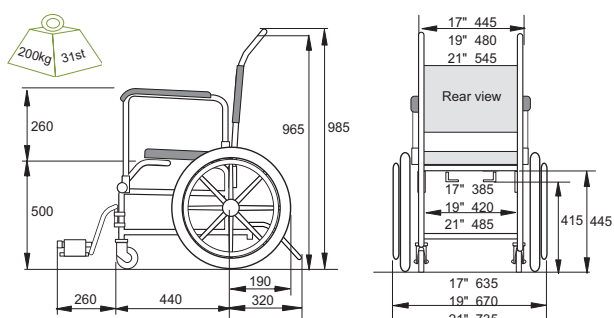
A06 Attendant Propelled Chair



A08 Self Propelled Chair

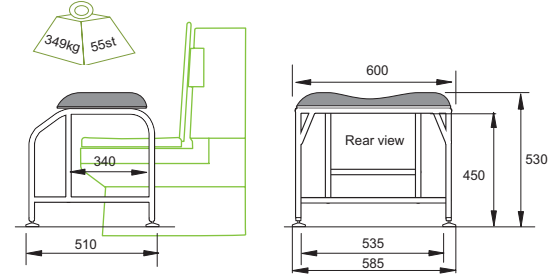


A11 Self Propelled Chair

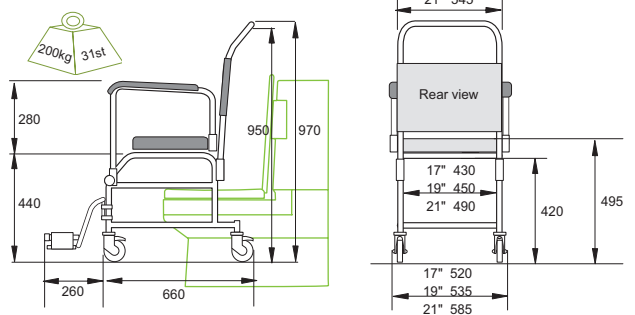


## AquaMaster Auto Range

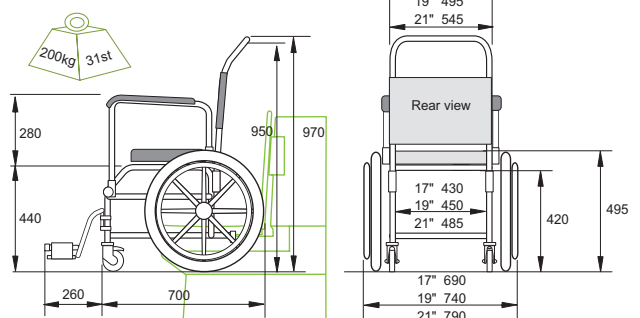
C Bariatric Bench



A06C Attendant Propelled Chair

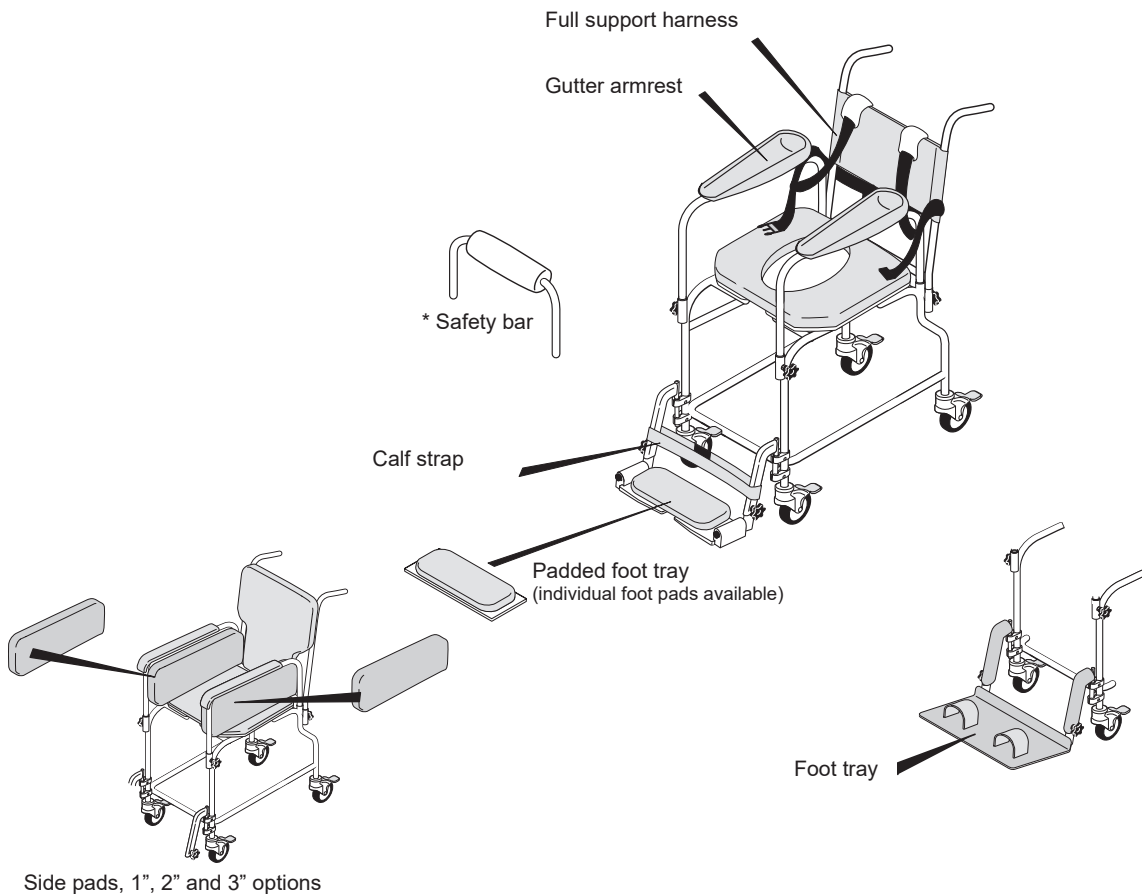
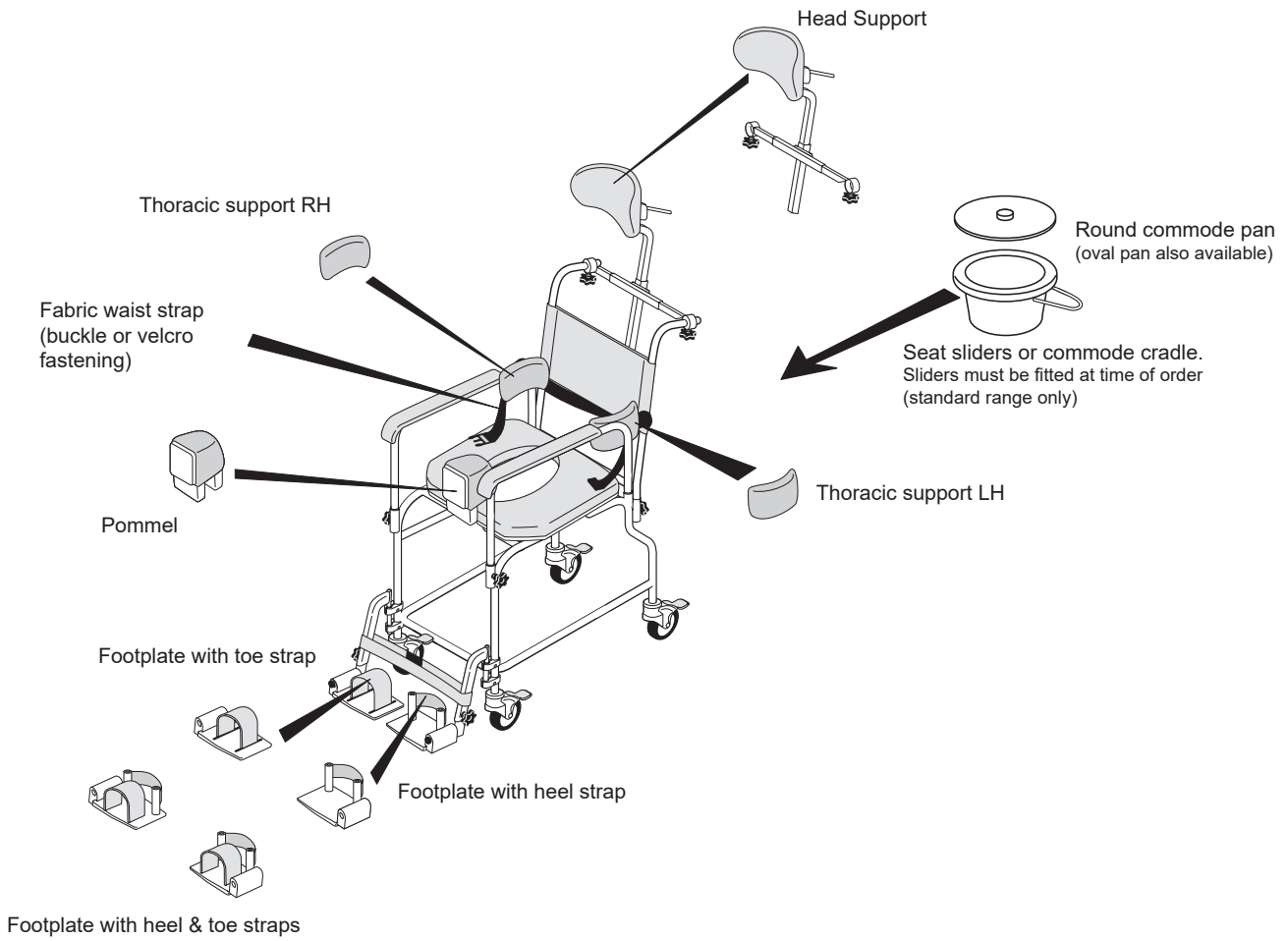


A11C Self Propelled Chair



Standard footrests provide a seat to footplate dimension of between 460mm and 560mm  
 Short footrests provide a seat to footplate measurement of between 310mm and 350mm

## Standard Accessories



\*special armrests required

## AquaMaster A13 Bariatric Chair

The A13 Bariatric Shower Commode Chair has been added to the standard chair range in response to increased requests for bespoke equipment in larger widths and to higher weight capacities.

The chair features a reinforced one piece rigid frame, which is able to accommodate users up to 55 stone. An increased seating dimension of 790mm x 550mm is provided.

As part of the AquaMaster range, the chair specification can be amended with interchangeable seat, backrest, armrest and footrest options. In addition, a large range of standard and bespoke accessories can be added to provide a specification to suit most users.

As standard the chair is provided with wide armrests, horseshoe seat with extra large aperture, padded backrest and heavy duty footplates.



All chair padding (armrest pads, seat and backrest) is manufactured with the use of pressure relief foam to aid comfort when seated at no additional cost. A standard vinyl fabric backrest can be supplied if the pad is not required.

Heavy duty twin wheeled castors and a full length foam grip assist with manoeuvrability and carer comfort.



**NEW Bariatric Tilt in Space chair**  
See page 19

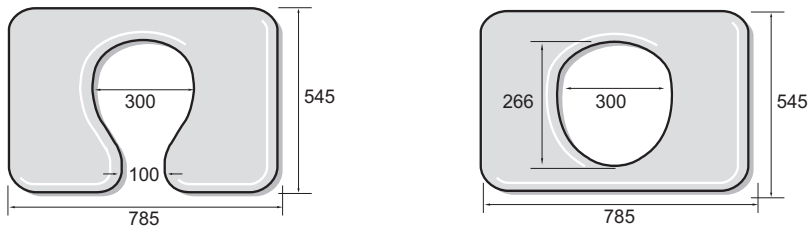
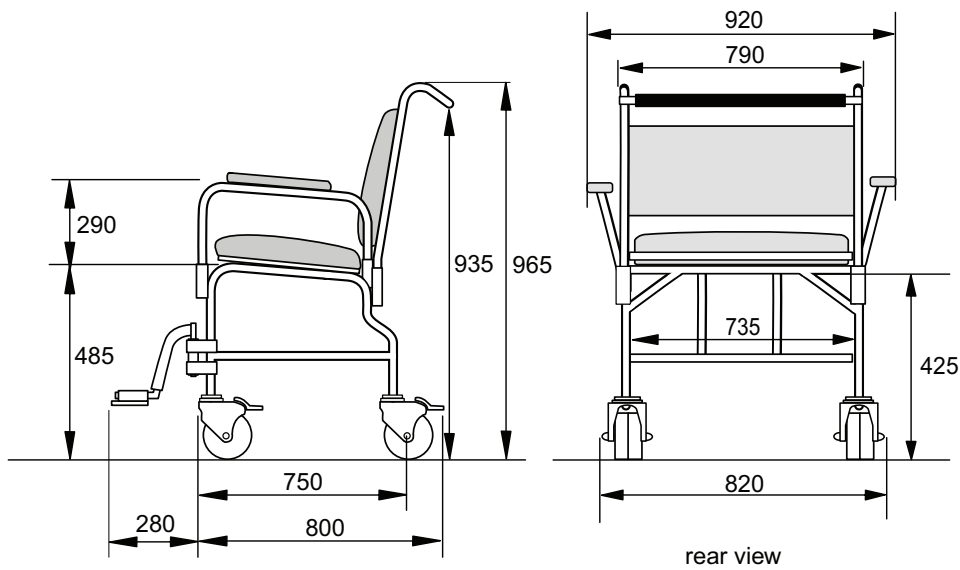
**A19 Bariatric TiS Chair**

**Bariatric Bench available**  
See pages 3-5



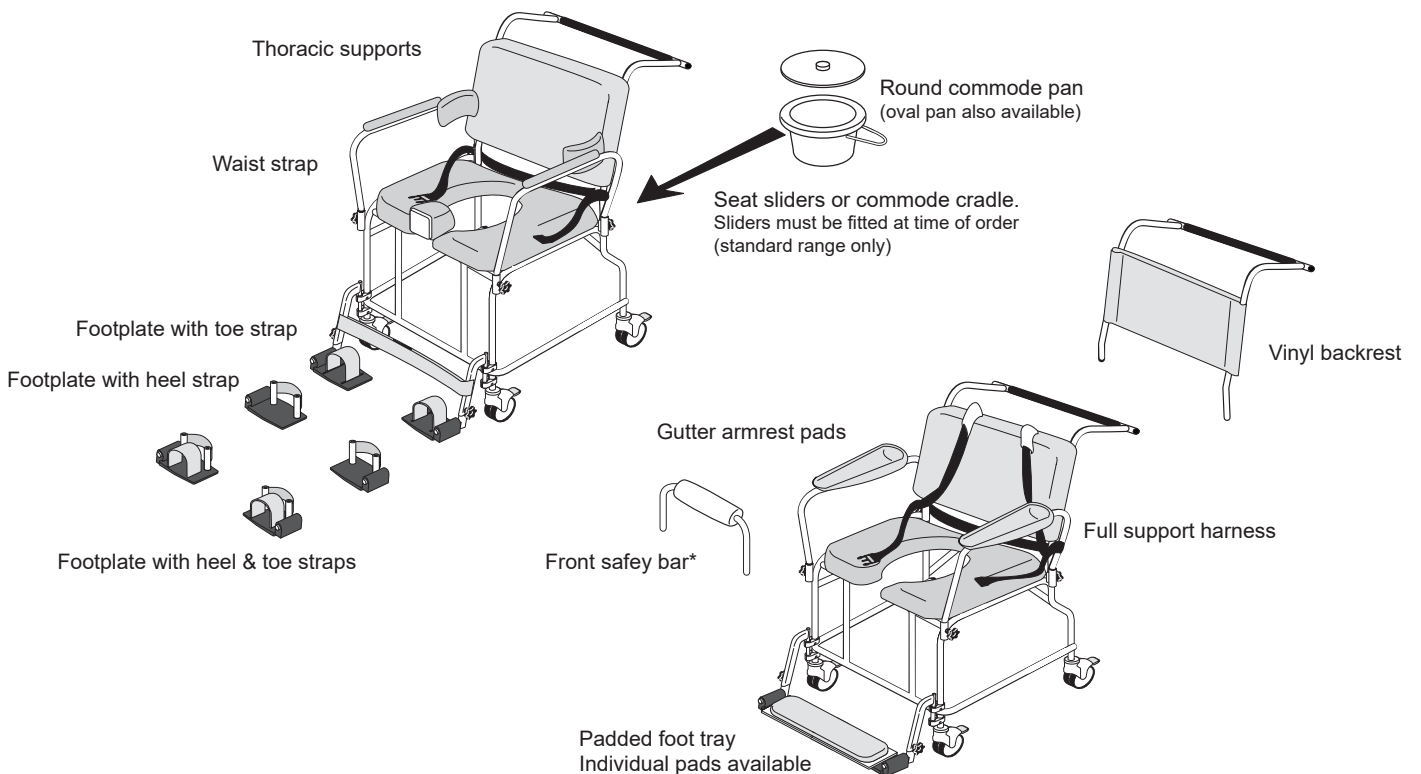
**A02C Bariatric Bench**

## AquaMaster Baratric Chair



Horseshoe supplied as standard, aperture, flat padded and bespoke available on request








## Standard Accessories



\*special armrests required





The TransAqua chair is a truly modular shower chair, initially designed for loan store use, the entire chair specification can be easily amended at any time.

## Frame





-  Rust free polished stainless steel
-  Modular and transportable without the use of tools
-  18", 19" and 21" width options (19" and 21" chairs are Clos-O-Mat compatible)
-  Width adjustable\*
-  Anti tip bars on self propelled model for added safety
-  An attendant propelled model can be converted to a self propelled model and vice versa
-  1" and 2" height extensions available







## Seat

-  HF welded seat, sealed against water ingress
-  Easily removable for cleaning
-  Flat padded, horseshoe or full ring aperture available including extended and skirted seat options
-  Pressure relief foam available to special request.

## Armrests






-  Swing-away armrests to aid transfer
-  Height adjustable option
-  PU foam padding for comfort
-  Clip on side pads are available to reduce the internal width by upto 6"

## Footrests




-  Swing-away, removable and height adjustable
-  Available as standard, short or 90 degree
-  Heel, toe and calf strap options
-  Padded foot tray available



## Self Propelling Wheels

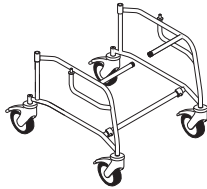
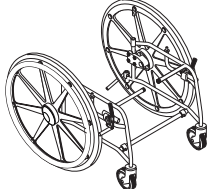
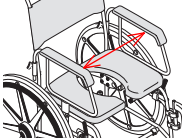
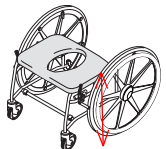
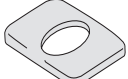


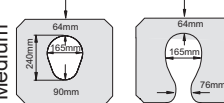
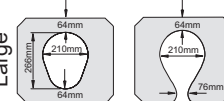
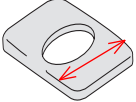
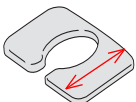
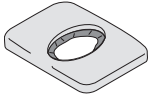
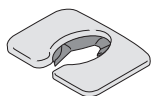
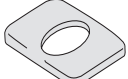


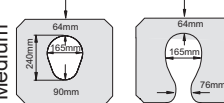
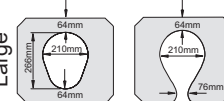
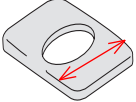
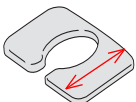
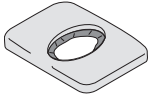
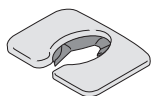
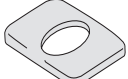


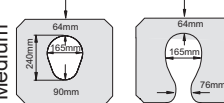
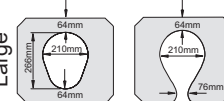
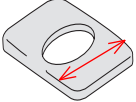
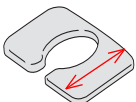
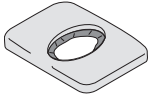
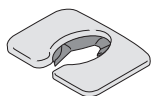
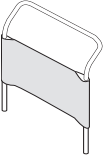
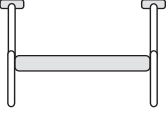
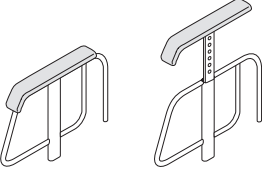
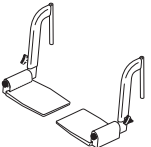
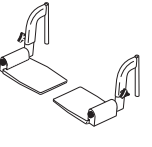
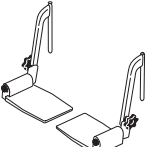
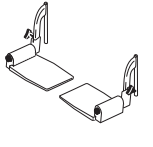
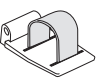
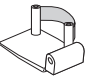
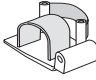

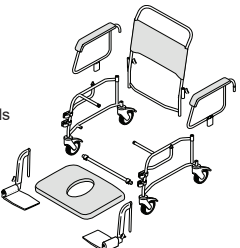
-  Solid non-puncture wheels
-  20", 22" and 24" wheel size options
-  Removable wheel rims to suit narrow doorways
-  Simple to use, easy to reach brake lever
-  Can be configured to suit amputee users (i.e. long wheel base)

## Castors

-  Rust free nylon castors
-  4 braked castors supplied
-  Optional directional lock castor

\* Replacement seat, backrest and cross member required

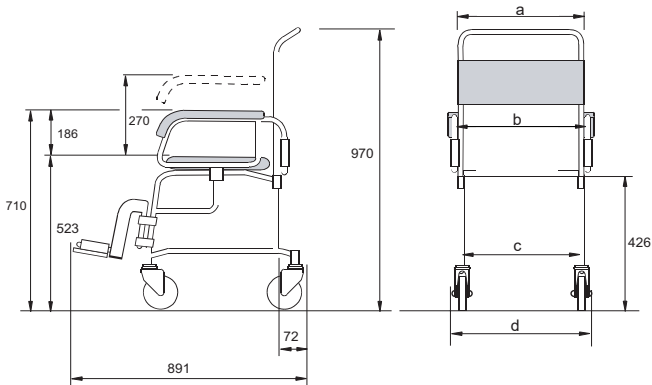
## TransAqua Selector

<h3>Frame Options</h3>	 <p>Attendant Propelled</p>  <p>Self Propelled</p>										
<h3>Width &amp; Height</h3>	<p>Between Armrests 18" 19" 21"</p>  <p>To underside of seat*; Standard 17.5" (426mm) Add + 1" (25mm) Add + 2" (50mm) *add 60mm for measurement to top of uncompressed seat</p> 										
<h3>Seat Options</h3>	<table border="0"> <tr> <td data-bbox="603 633 762 757"> <p>Aperture</p>  </td> <td data-bbox="778 633 906 757"> <p>Horseshoe</p>  </td> <td data-bbox="938 633 1066 757"> <p>Flat Padded</p>  </td> <td data-bbox="1241 633 1481 1030" rowspan="3"> <p>Aperture sizes</p>   <p>* Medium apertures not available for 21" chairs</p> </td> </tr> <tr> <td colspan="3"> <p>Is an extension required?*</p>   </td> </tr> <tr> <td colspan="3"> <p>Is a skirt required?</p>   </td> </tr> </table> <p>Standard 435mm Ext + 50mm</p> <p>* Not available for aperture seats</p>	<p>Aperture</p> 	<p>Horseshoe</p> 	<p>Flat Padded</p> 	<p>Aperture sizes</p>   <p>* Medium apertures not available for 21" chairs</p>	<p>Is an extension required?*</p>  			<p>Is a skirt required?</p>  		
<p>Aperture</p> 	<p>Horseshoe</p> 	<p>Flat Padded</p> 	<p>Aperture sizes</p>   <p>* Medium apertures not available for 21" chairs</p>								
<p>Is an extension required?*</p>  											
<p>Is a skirt required?</p>  											
<h3>Backrest</h3>	 <p>Pram handle only</p>										
<h3>Armrest Options</h3>	 <p>Standard Straight</p>  <p>Height Adjustable</p>										
<h3>Footrest Options</h3>	 <p>90 degree</p>  <p>Short 90 degree</p>  <p>18 degree</p>  <p>Short 18 degree</p> <p>Are foot supports required?</p>  <p>Toe strap</p>  <p>Heel strap</p>  <p>Toe &amp; heel strap</p>										
<h3>Assembly Options</h3>	<p>Assembled can be dismantled as per the flat packed option as and when required.</p>  <p>Flat Packed for home assembly, no tools required.</p> 										

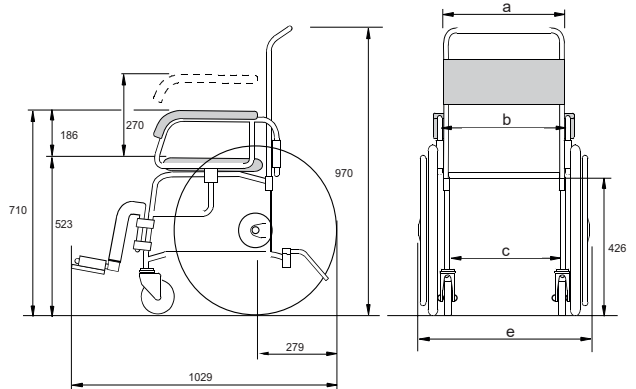
## TransAqua Chair Range



### Attendant Propelled Model



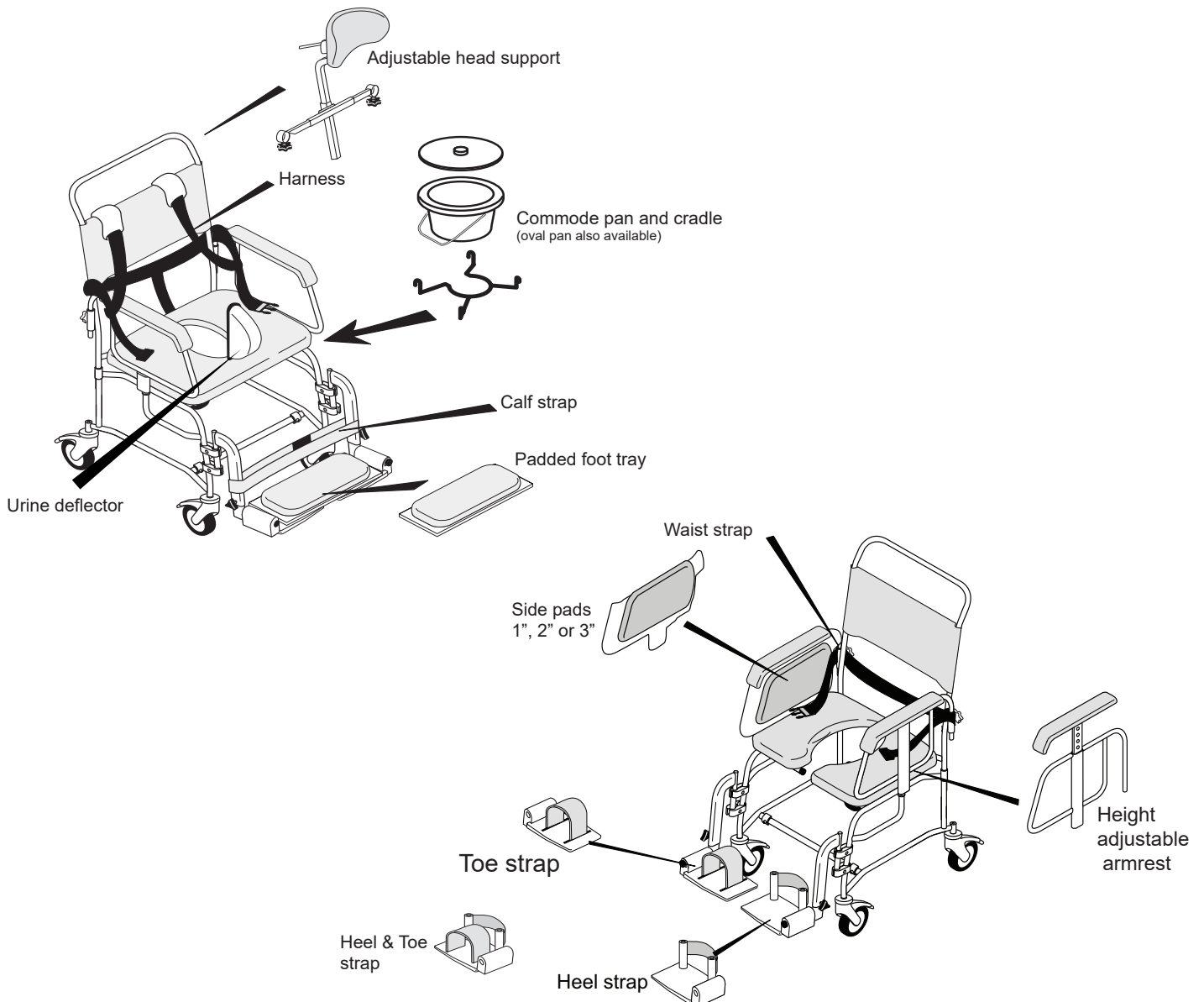
### Self Propelled Model



	a	b	c	d	e
18"	462	434	417	495	690
19"	487	459	442	520	715
21"	537	510	492	570	765

Standard footrests provide a seat to footplate dimension of between 460 and 560mm  
 Short footrests provide a seat to footplate measurement of between 310 and 350mm

## Accessories



# Washington Shower Cradle

The Washington Cradle was introduced in 2001 and was designed specifically for users with multiple sclerosis, cerebral palsy, motor neurone disease and clients with fixed hips, legs or contractures. It is also particularly beneficial for those experiencing involuntary movements and rapidly deteriorating body conditions.

The cradle provides comfortable, controlled bathing in a safe sitting position. The easily adjustable straps can be loosened, creating a hammock effect in the fabric. Adjustable to three positions to suit a users changing condition, the cradle is available in three standard sizes small, medium and large.










Bespoke frames and fabrics can be manufactured to meet individual needs.

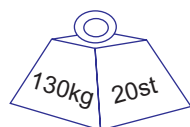
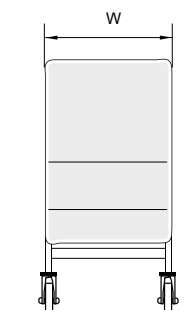
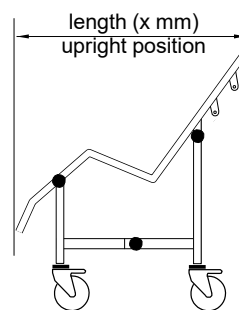
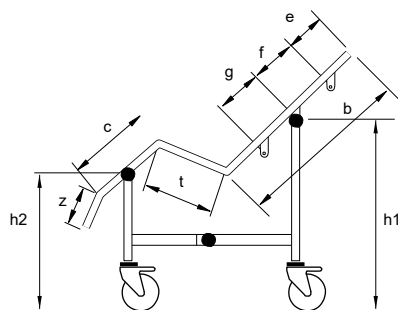
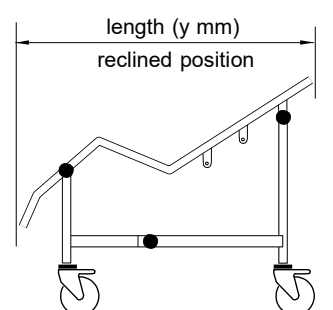


**Upright**



**Fully reclined**

-  Offers safe, comfortable bathing for those with degenerative or severe physical conditions.
-  Helps maintain a safe sitting position.
-  Allows bathing in a restricted wet floor area, with a tight turning circle.
-  Avoids the need for a special shower chair to suit the users condition.
-  Adjustable to three positions.
-  Small, medium and large size options.
-  Hygienic bathing for client, carer and equipment, with removable and washable cover.
-  Four braked castors for added stability.
-  Available options include;
  - Postural straps
  - Support padding
  - Side support rails
  - Fabric aperture



	b	c	e	f	g	h1	h2	t	w	x	y	z
S	620	400	140	120	120	815	670	280	500	970	1120	150
M	750	480	150	150	150	815	670	350	500	1270	1380	150
L	900	570	180	170	170	815	670	400	575	1590	1690	150

Tilt in space model available refer to page 14.

Our specialist tilt in space range has been designed to allow safe bathing of those with severe physical conditions. The range consists of both shower chairs and cradles in varying sizes, all configurable to suit individual needs and featuring a number of accessories to provide a safe and comfortable bathing experience for user and carer.

Both chair and cradle can be custom made at our Oxfordshire facility to provide a user specific solution, details of bespoke models can be seen on page 24.

The range features a dual gas spring assembly which provides hydraulically powered assistance to raise and recline the chair, reducing the muscular skeletal stress experienced by the carer. Operated by a single rear mounted control handle which can be fitted to suit right hand or left hand carers.

Frames are electrostatically coated stainless steel which provides a durable, corrosion resistant finish and are provided with a 5 year rust free warranty\*.

\* Applies to frame only

See page 20 for Tilting Cradle



Bespoke cradle shown with head support, enveloped upper support rails and padded leg support rails.

# Tilt in Space Range

## Standard Tilt in Space Chair








Seat, headrest, armrest\* and footrest configurations are retrospectively replaceable to allow the chair specification to be amended to suit degenerative conditions and to enable re-issue. \* Excluding fold up armrests.

### Standard Models






A14 with horseshoe seat and standard headrest

#### Frame




-  Rust free powder coated frame complete with antimicrobial additive
-  18" and 21" width options
-  Tilting angle of between 0 and 30°
-  Extension pins available in 1" and 2" options, reducing the need for bespoke frames
-  3 options available as standard - 10° reclined backrest, upright backrest and closomat compatible
-  Bespoke frames can be manufactured to suit individual needs
-  Can now be manufactured to provide clearance under WC waste pipes, as necessary







#### Armrests

-  Swingaway armrests to aid transfer
-  Straight, wide, half wide and fold up options
-  PU foam padding for comfort

#### Footrests

-  Height adjustable and fold away
-  Available as standard, short or 90 degree
-  Range of straps and trays available

#### Seat

-  HF welded seat, sealed against water ingress
-  Easily removable for cleaning
-  Flat padded, horseshoe or full ring aperture available including extended and skirted seat options
-  Pressure relief foam available to special request.

## Auto WC Tilt in Space Chair

The Auto WC Tilt in Space shower chair has all of the features of the standard model perfectly proportioned to suit a number of automatic WCs. Bespoke models can be manufactured to suit almost any model. Please contact us for full details.

The chair is provided with choice of skirted seat and head support as standard. Available as an 18" or 21" model, bespoke models available on request.



### NEW

The Auto WC Tilt in Space chair is now available with an electronic tilting function.

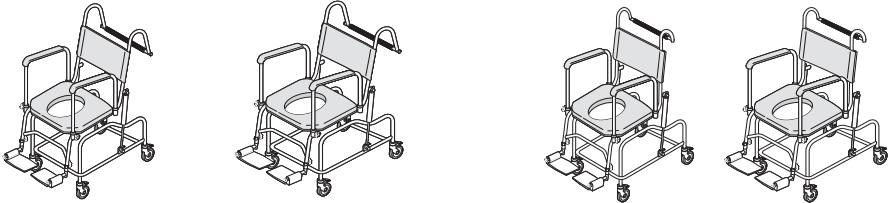
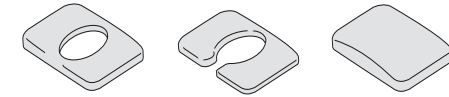
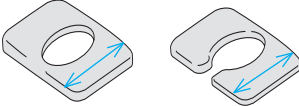
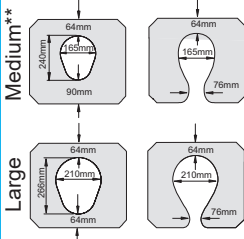

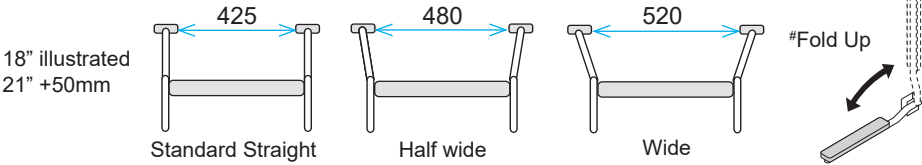
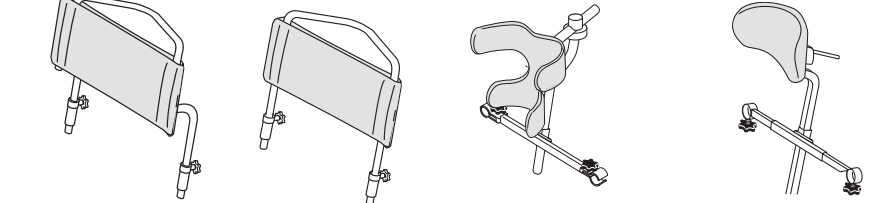
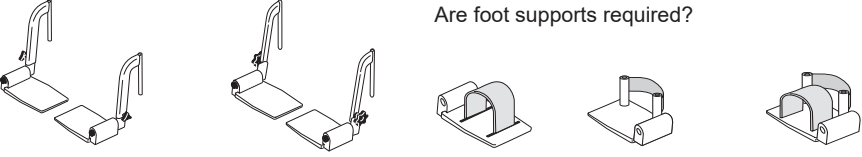
Dimensioned as per the A16C and A17C, the E16C and E17C, utilise a reliable Linak actuator to provide a safe and secure tilting function via a handset without the need for manual recline.

The E16C and E17C have a maximum capacity of 160kg

For further details please contact customer services at [sales@chilterninvadex.co.uk](mailto:sales@chilterninvadex.co.uk).

## Standard Tilt in Space Chair Selector



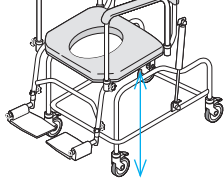
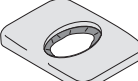
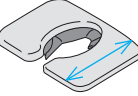

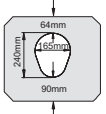
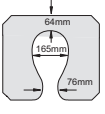
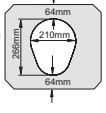
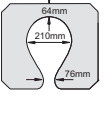
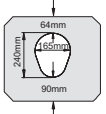
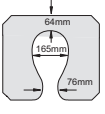
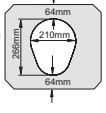
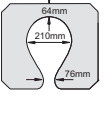
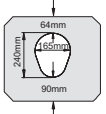
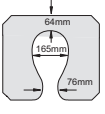
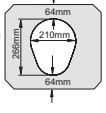
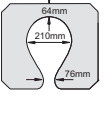
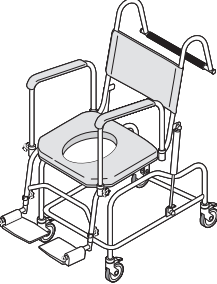


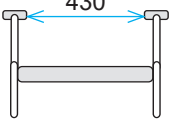
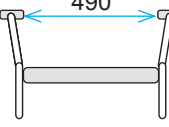
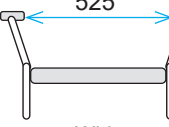
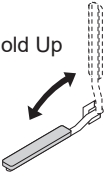
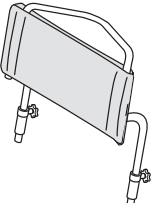
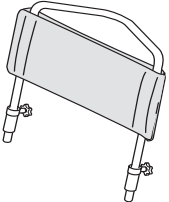
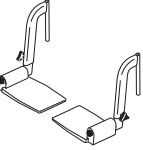
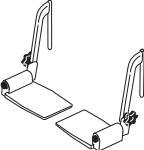

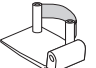

Select your requirements from the below standard options. Custom made tilt in space chairs can be specially manufactured to suit individual needs, for guidance please contact our technical team on 01869 365500 or at sales@chilterninvadex.co.uk.

<h3>Frame Options</h3>	 <p>A14 18" reclined    A15 21" reclined    A16 18" upright    A17 21" upright</p>				
<h3>Seat Options</h3>	<p>Aperture      Horseshoe      Flat Padded</p>  <p>Is an extension required?*</p>  <p>Standard 435mm Ext + 50mm</p> <p>* Not available for aperture seats</p>			<p>Aperture sizes</p>  <p>Medium** Large</p> <p>**18" chairs only</p>	
<h3>Backrest Options</h3>	 <p>Standard      Mesh      Full Mesh</p>				
<h3>Armrest Options</h3>	<p>18" illustrated 21" +50mm</p>  <p>Standard Straight      Half wide      Wide</p> <p>#Fold Up</p>				
<h3>Headrest Options</h3>	 <p>Standard Headrest      Inline Headrest      X Shaped Headrest      Adjustable Headrest</p>				
<h3>Footrest Options</h3>	<p>Are foot supports required?</p>  <p>90 degree      18 degree      Toe strap      Heel strap      Toe &amp; heel strap</p>				

# fold up armrests cannot be retro fitted and must be requested at time of order.

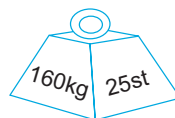
# Tilt in Space Range

## Auto WC Tilt in Space Chair Selector

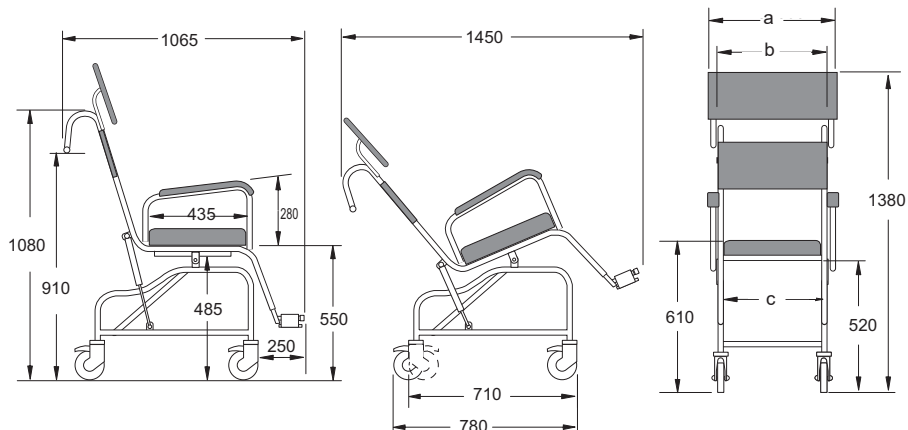
<h3>Frame Options</h3>	 <p>A16C 18"</p>  <p>A17C 21"</p>				
<h3>Height Options</h3>	<p>Floor to underside of seat</p> <p>Standard 520mm</p>  <p>Is Closomat on a plinth?</p> <p>+1" (25mm) +2" (50mm) Over 2" - Special frame required</p>				
<h3>Seat Options</h3>	<p>All seats are skirted as standard.</p> <div style="display: flex; justify-content: space-around;"> <div data-bbox="603 725 753 1008"> <p>Aperture</p>  <p>Is an extension required?*</p>  </div> <div data-bbox="794 725 944 972"> <p>Horseshoe</p>  <p>Standard 435mm Ext + 50mm</p> </div> </div> <p>* Not available for aperture seats</p> <div style="border: 1px solid black; padding: 5px; margin-top: 10px;"> <p style="text-align: center;">Aperture sizes</p> <table border="1" style="width: 100%; text-align: center;"> <tr> <td style="width: 50%; vertical-align: middle;"> <p>Medium**</p>  </td> <td style="width: 50%; vertical-align: middle;">  </td> </tr> <tr> <td style="width: 50%; vertical-align: middle;"> <p>Large</p>  </td> <td style="width: 50%; vertical-align: middle;">  </td> </tr> </table> <p>** 18" chairs only</p> </div>	<p>Medium**</p> 		<p>Large</p> 	
<p>Medium**</p> 					
<p>Large</p> 					
<h3>Backrest Options</h3>	 <p>Standard</p>  <p>Mesh</p>  <p>Full Mesh</p>				
<h3>Armrest Options</h3>	<p>18" illustrated 21" +65mm</p> <div style="display: flex; justify-content: space-around; align-items: center;"> <div style="text-align: center;"> <p>430</p>  <p>Standard Straight</p> </div> <div style="text-align: center;"> <p>490</p>  <p>Half wide</p> </div> <div style="text-align: center;"> <p>525</p>  <p>Wide</p> </div> <div style="text-align: center;"> <p>#Fold Up</p>  </div> </div>				
<h3>Headrest Options</h3>	 <p>Standard Headrest</p>  <p>Inline Headrest</p>				
<h3>Footrest Options</h3>	<p>Are foot supports required?</p> <div style="display: flex; justify-content: space-around; align-items: center;"> <div style="text-align: center;">  <p>90 degree</p> </div> <div style="text-align: center;">  <p>18 degree</p> </div> <div style="text-align: center;">  <p>Toe strap</p> </div> <div style="text-align: center;">  <p>Heel strap</p> </div> <div style="text-align: center;">  <p>Toe &amp; heel strap</p> </div> </div>				

# fold up armrests cannot be retro fitted and must be requested at time of order.

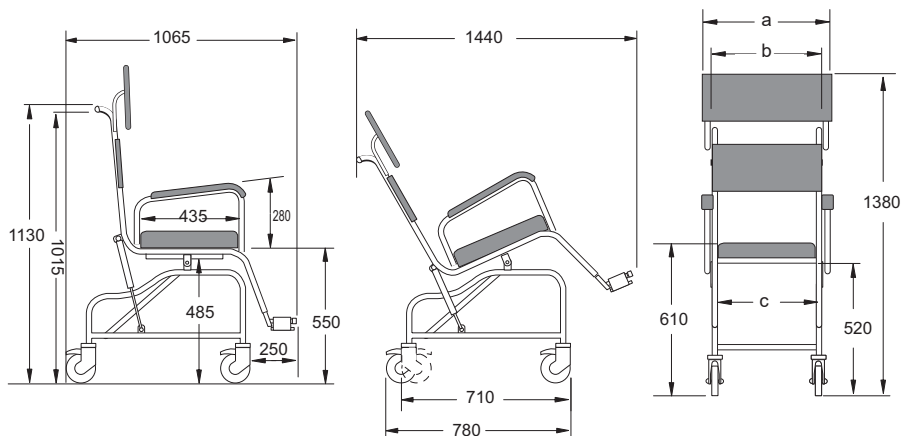
## AquaMaster Tilt in Space Chair Range



Reclined Backrest  
A14 18"  
A15 21"

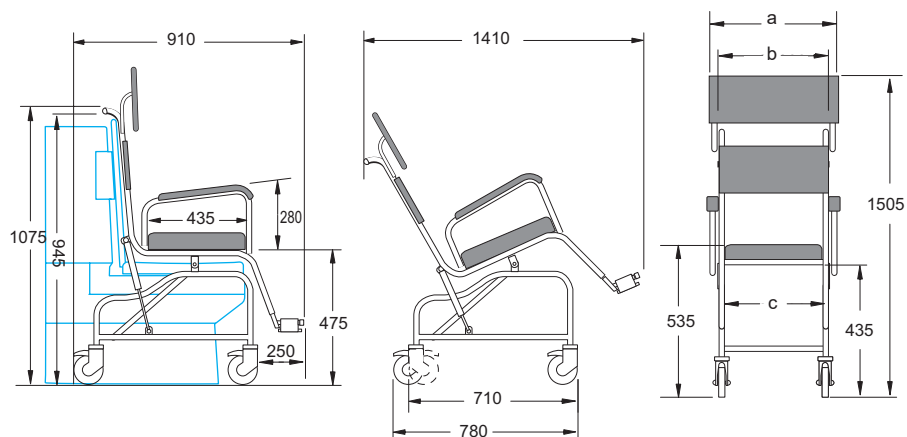


Upright Backrest  
A16 18"  
A17 21"



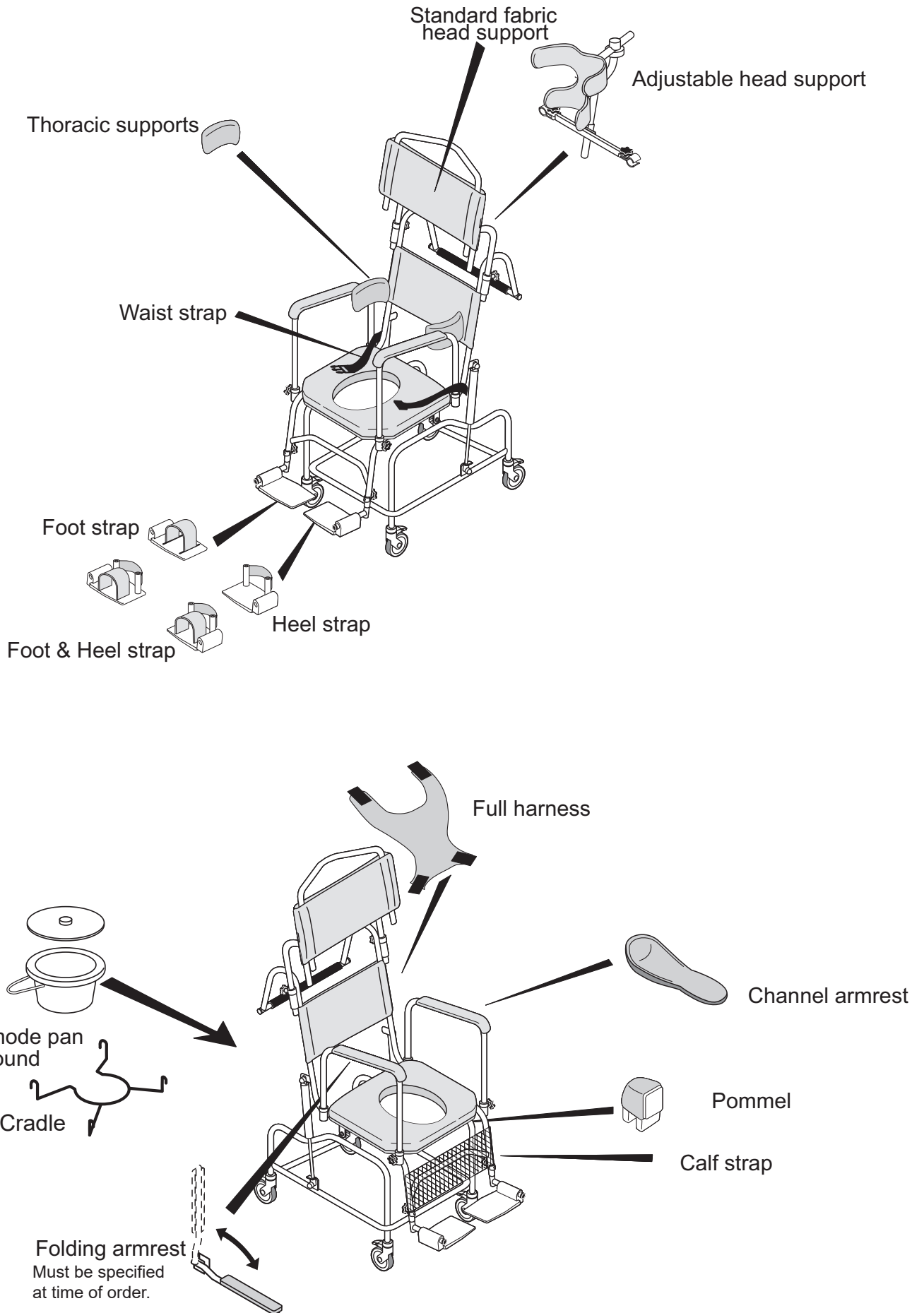
Chair width	a	b	c
18"	530	490	410
21"	600	560	480

Auto WC Model  
A16C 18"  
A17C 21"



Chair width	a	b	c
18"	645	505	495
21"	720	580	570

## Accessories





Introducing the new A19 Bariatric Tilt in Space Shower Chair.

Due to increased demands for bespoke equipment in larger widths and to higher weight capacities, Chiltern Invadex have developed a tilting shower chair with a 40 stone (254kg) safe working load.

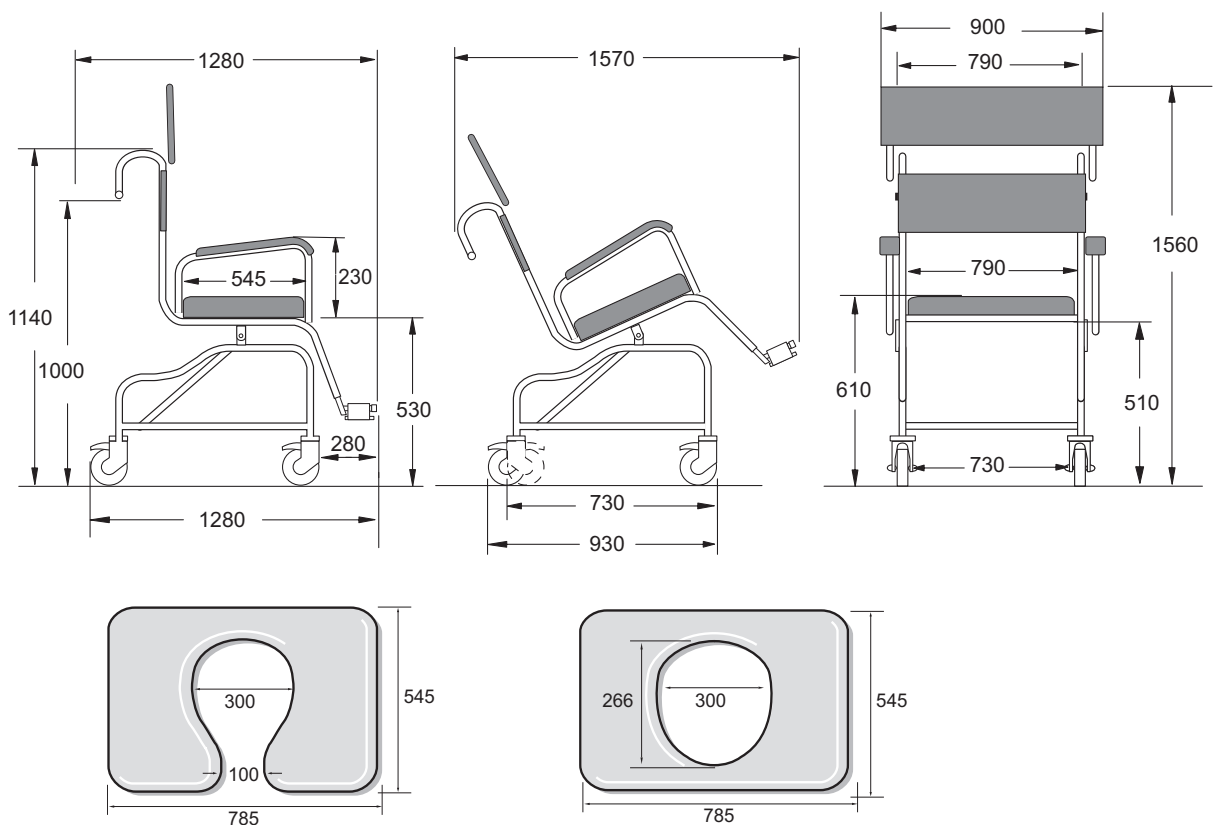
The chair has been carefully designed to guard against musculoskeletal injury often associated with care provision for larger users.

An \*electronic lifting system controlled via an easy to use (wired or bluetooth) handset, removes the need for manual lift and recline of the seat, whilst heavy duty twin wheeled castors and a full length foam grip assist with manoeuvrability and carer comfort.

Each chair is manufactured to suit individual needs and offers numerous options to provide user comfort including; pressure relief foam in seat and armrest pads, option for pressure relief padded foot tray or individual foot pads; vinyl, fabric or spacer headrest, backrest and calf support; in addition to additional bespoke support options.

Available to special order only, each chair is manufactured to suit the user. For further details or to arrange a free of charge, no obligation home visit please contact customer services on 01869 365500 opt 1 or at [sales@chilterninvadex.co.uk](mailto:sales@chilterninvadex.co.uk)

\* IPX6 rated Linak actuator and powerpack provide a reliable water resistant lift. Power supply should be removed from chair for charging purposes



Horseshoe supplied as standard, aperture, flat padded and bespoke available on request

## Tilt in Space Cradle

Chiltern Invadex is proud to introduce the Washington Tilt in Space Shower Cradle. The Washington Cradle was introduced in 2001 and was designed specifically for users with multiple sclerosis, cerebral palsy, motor neurone disease and clients with fixed hips, legs or contractures. It is also particularly beneficial for those experiencing involuntary movements and rapidly deteriorating body conditions.

This level of support has now been combined with the benefits of a tilt in space shower chair to create a comfortable and secure bathing solution which allows simple adjustment of the fabric creating a hammock effect to support the user as required. The buckled fabric is removable to allow for hygienic laundering and includes coloured edging strips to provide a clear indication of size.

The tilting cradle is available in three standard sizes; small, medium and large. Each is complemented by a range of accessories and options which have been carefully developed to enable specification of a safe, individual bathing aid.

Where additional customisation is required, our experienced surveyors can assist in the production of a bespoke user specification for manufacture by our in-house fabrication team.

The photograph below shows the cradle with an optional toileting aperture, which is available in various sizes to suit the user, and enveloped side rails which can also be added to the leg section for added security.

The cradle provides a tilting angle of between 5 and 35 degrees.

It is provided with an electrostatically coated stainless steel frame which provides a durable, corrosion resistant finish and a dual gas spring assembly which allows smooth operation via a single rear mounted control handle.

Side rails are available as an accessory to provide additional security where required, these can be combined with a range of lap straps, head and thoracic supports to produce a safe and comfortable bathing experience.

Now available with an adjustable, jointed leg section.

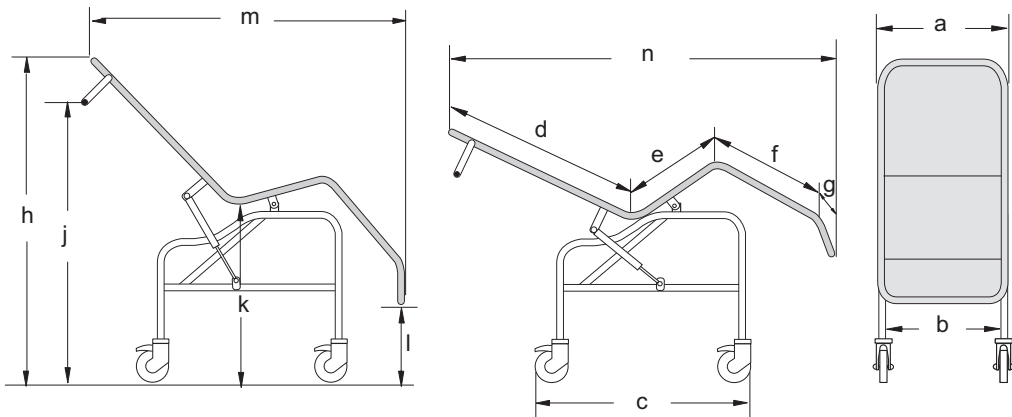


Medium cradle with optional side rails and head cushion



Reclined cradle shown with optional head cushion and side rails

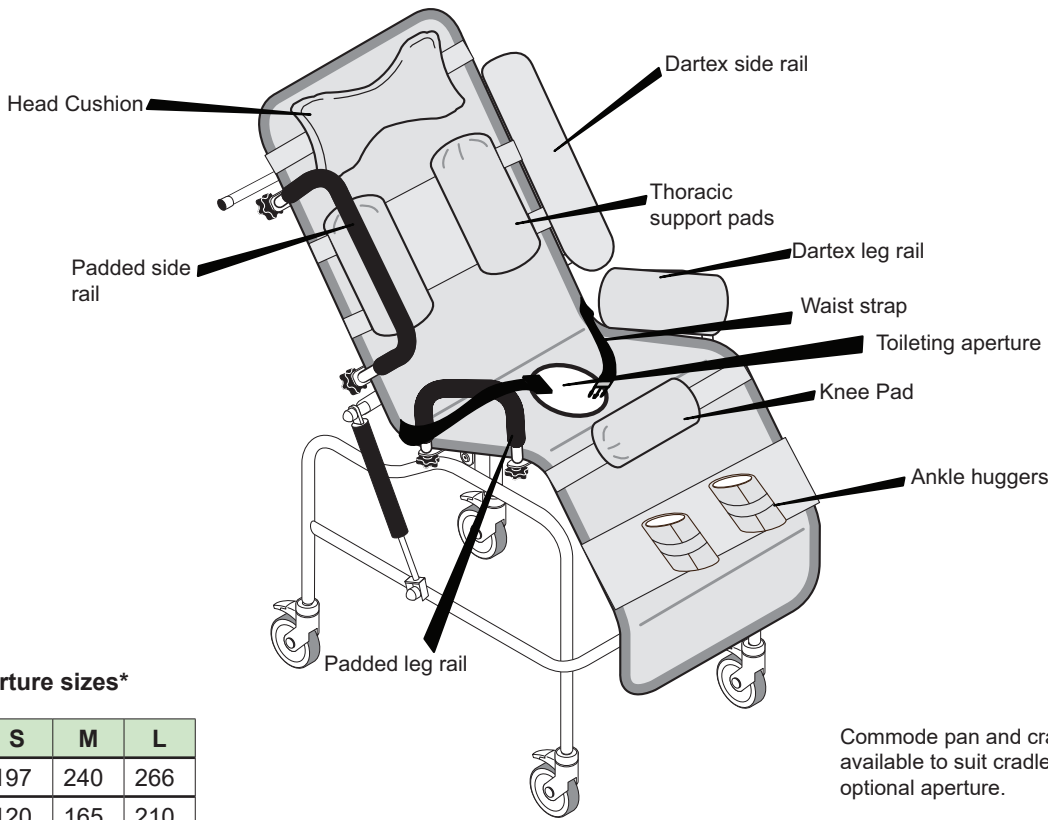
Tilt in Space Cradle



	a	b	c	d	e	f	g	h	j	k	l	m	n
Small	500	510	780	620	280	400	150	1170	1020	660	300	820	1210
Medium	500	510	780	750	350	480	150	1260	1110	650	200	1120	1430
Large	575	575	780	900	400	570	150	1350	1200	640	150	1440	1740

Accessories

The cradle has been carefully designed to ensure that each of the accessories can be added at a later date, as required, without the need to replace either fabric or frame (excluding toileting aperture).



Optional toileting aperture sizes\*

	S	M	L
a	197	240	266
b	120	165	210

Commode pan and cradle available to suit cradles with optional aperture.

\* must be requested at time of manufacture. Special sizes can be produced

# Paediatric Range

Our newly developed paediatric range of shower chairs and cradles have been designed to incorporate all of the features of the popular AquaMaster and Tilt in Space ranges re-dimensioned to suit the paediatric market.

Each model is assembled to suit the individual needs of younger users with many options provided as standard. Both chairs and cradles can be custom built to provide a piece of bespoke equipment perfectly suited for the individual.

To allow children to take ownership of the equipment and reduce its clinical appearance, the entire paediatric range is made available in 10 frame colour options at no extra cost.

Our team of experienced surveyors are able to provide free of charge, no obligation home visits to allow users and carers to try the equipment and assist Occupational Therapists to develop a suitable specification.

## Shower Chair Range



A20 shown in Telemagenta

Our Paediatric shower chair ranges have been designed to grow with the user until the requirement for an adult chair is reached.

The standard model has a 12" between armrest width, which can be further reduced by addition of removable side pads or increased to 16" with the addition of wide armrests.

We have designed the A20 frame to allow conversion from an attendant propelled chair to a self propelled A21 model with the simple addition of our non-puncture self propelling wheel and brake kit and anti tip bars\*.

\* Applies to A20 and A21. Tilt in space model available as attendant propelled only.

Chair height, footrest height and seat can all be changed to suit the needs of a growing child without the need for a new chair.

Standard models can be configured to suit individual needs with a number of backrest, seat, armrest and footrest options available. A full height fabric backrest is also available.

The chair can be used over a conventional WC pan or provided with a commode pan and removable cradle.

An extensive range of support straps, foot trays and supportive padding has been made available to ensure a comfortable and secure bathing experience. Options for specialised Ottobock accessories are available on request.



A21 shown in Signal Blue



Bespoke A18 shown in Light Blue with padded foot tray and mesh headrest and backrest. Upright position

The tilt in space A18 model is provided with a fabric headrest as standard and features dual pneumatic rams operated by a single rear mounted lever for ease of use.

The A18 has a 10° reclined backrest as standard, an upright model is available on request. The chair provides a tilting angle of between 0 and 30°



A18 shown in Traffic Red, reclined position

## Tilting Cradle

Our Paediatric tilting shower cradle has a standard seat width of 15". It can be provided with side bars for extra security and a range of support straps and padding options.

Fabrics are secured using clips on the rear of the cradle which allow the tension to be easily adjusted to create a hammock effect. They are removable for domestic or commercial laundering and can be easily replaced.

Special fabrics can be manufactured to include apertures to facilitate bathing.

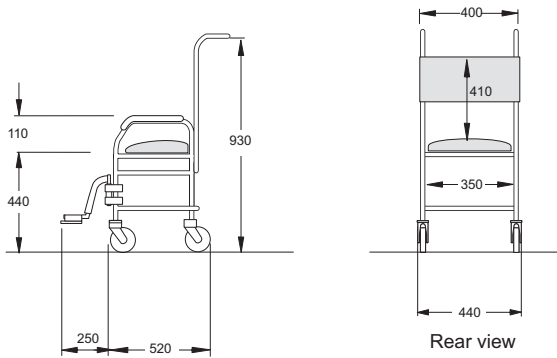
The cradle provides a tilting angle of between 5 and 35°.

Metalwork is available in a range of colour options at no extra cost. Please call for a colour chart.

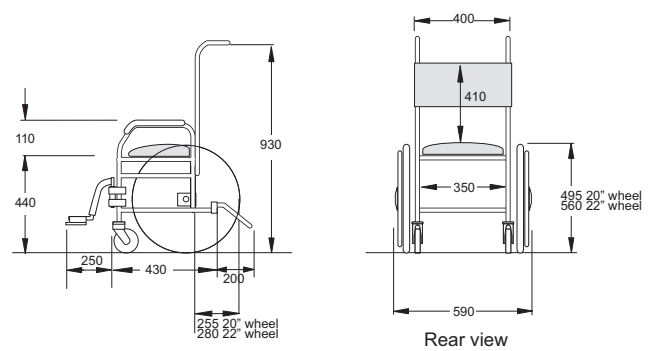


Tilting cradle with optional head support and side rails shown in Blue Lilac

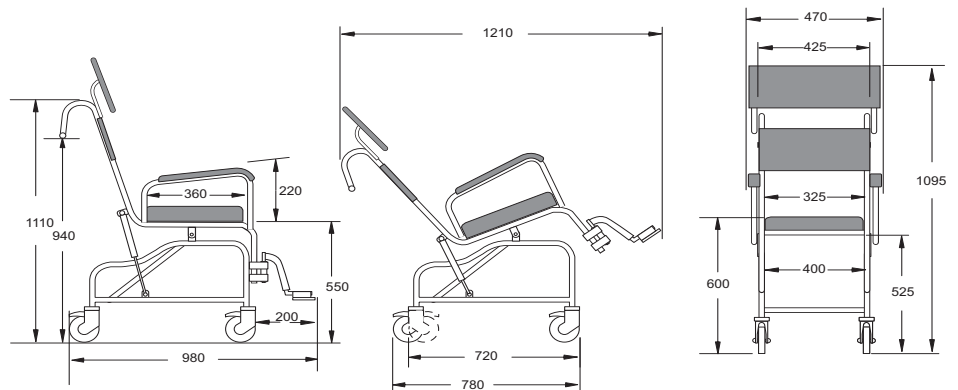
## A20 Attendant Propelled



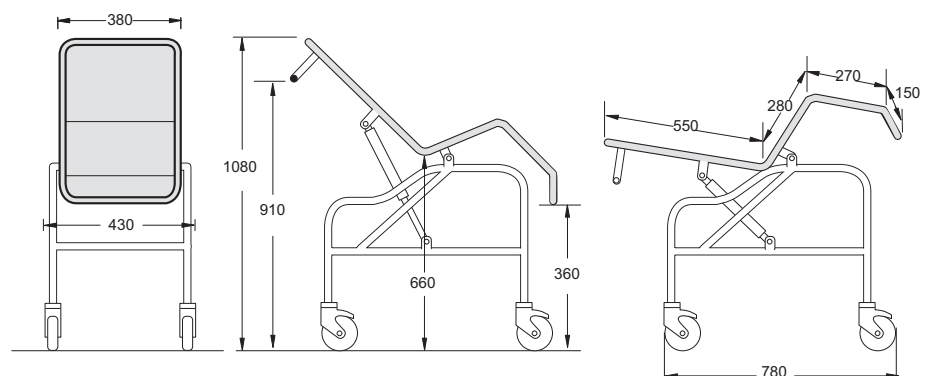
## A21 Self Propelled



## A18 Tilt in Space Chair



## Paediatric Tilting Cradle



## Special Features Special Features are not available for the TransAqua range.

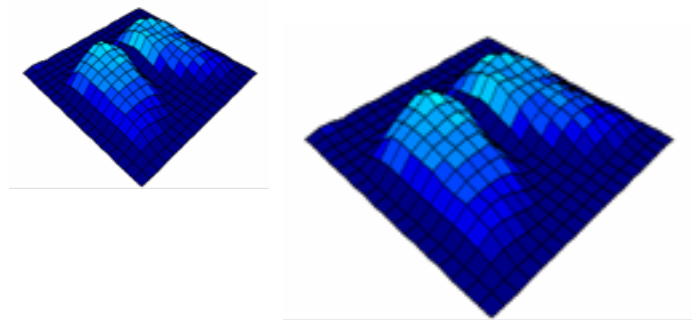
### Frame

Manufactured in Oxfordshire, bespoke chair and cradle frames can be quickly fabricated to suit individual needs. Frame changes include; height/width adjustment, reinforcement to facilitate bariatric patients, backrest type and recline, armrest and footrest height/length.



### Optional Pressure Relief

Available in three grades to suit user weight, the foam offers a unique combination of physical characteristics; high energy absorption, correct posture and positioning, superior pressure relief and durability. This is combined with a polyurethane fabric called Nytend which includes a protective coating to guard against bacteria growth.



### Seats and fabrics

Upholstered, padded seats are manufactured from warm touch fabric and sealed against water ingress.

Available in flat padded, or in a range of aperture sizes in both horseshoe or ring aperture with extended and skirted versions available.

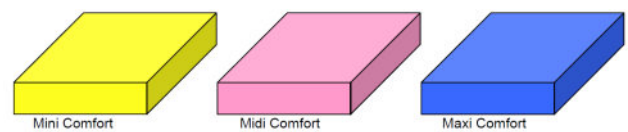
Special sized seats including aperture size and shape can be manufactured on request.

Fabrics can be manufactured to include bathing apertures in sizes and shapes to suit the user.

Quilting and lining options can also be made available.

### Armrests

Special armrest options include fold up arms, splayed/cranked armrests and soft armrest pads. User specific armrest heights and widths can also be accommodated.



User Weight	Foam Type Required	Minimum Thickness Required
Up to 8 stone (<50kg)	MINI	2" (50mm)
8 to 12 stone (51-76kg)	MIDI	2" (50mm)
12 to 18 stone (77-114kg)	MAXI	2" (50mm)
18 to 33 stone (114-220kg)	MAXI	3" (75mm)

### Accessories

User specific accessories can be fabricated on request. These include; specialist postural support cushions, foot trays, leg/stump rests, harnesses and strapping.

### Advice and Guidance

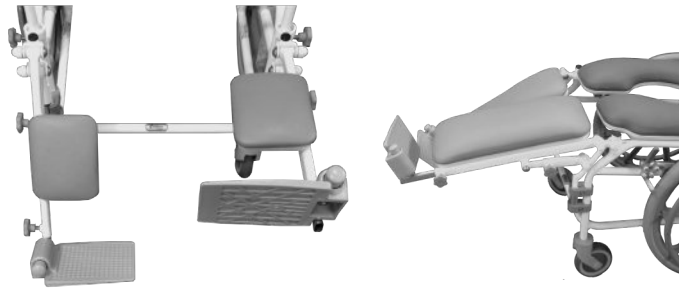
Whether your requirements are available on the market or you require a truly bespoke piece of equipment, our Technical team are on hand to provide advice and guidance at; [sales@chilterninvadex.co.uk](mailto:sales@chilterninvadex.co.uk) or on 01869 365500.

## Examples of Custom Made Options

Special chair manufactured for use by a client at risk of impaired tissue integrity. It features; soft arm rest pads, padded frame, padded foot-rests, pressure relief seat and soft touch lap straps.



Examples of bespoke elevated leg rests



Bespoke foot tray, manufactured to Occupational Therapist specification.



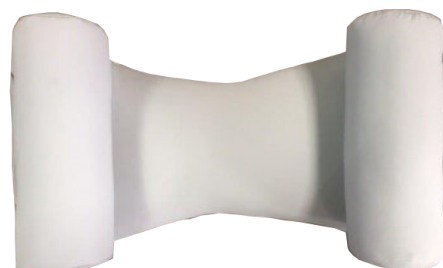
Manufacture of a modular AquaMaster to facilitate air travel. This chair was manufactured to fit into a suit case.



Custom footplates manufactured to suit an existing tilt in space shower chair.



Custom made padded head cushion. Made for a shower cradle to assist with head positioning.



## Palma Vita

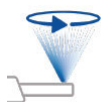
closomat®



The Closomat Palma Vita has been purpose-designed to combine a conventional WC with integrated washing and drying. It is the only toilet of its kind, specifically developed for elderly and disabled people, that is designed to properly support the user and position them correctly for effective washing and drying.

### Features

- **Soft-close seat**
- **Temperature-controlled shower water** The smart water heating with an energy-efficient boiler ensures that the shower water is perfectly temperature-controlled. For up to 45 seconds, even with shower flow rates up to 5 litres/minute.
- **Automatic flushing** This is triggered automatically after the start of the showering process.
- **Gentle cleaning lady-shower** The lady-shower function is triggered by touching the push-button, provides a much appreciated feeling of freshness. When the push-button is held down, the gentle shower spray can last for exactly as long as you wish. The air drying function starts automatically after showering.
- **Warm air drying** The temperature is gradually reduced. A pleasant feeling, as the drier the skin becomes, the cooler the air is.
- **Ambient light** The blue arc of light projected onto the floor indicates that the shower toilet is switched on. At night-time, the soft Closomat ambient light helps you find your way without having to put a bright light on.
- **Automatic odour extraction** Extraction starts when you sit down. Odours are neutralised by an active carbon filter
- **Optional wireless remote control**
- **Wellness programme** whilst the shower is running four wellness functions can be switched on;



**Touch once**

Rotating shower spray



**Touch twice**

Pulsating shower spray



**Touch 3 times**

Temperature changing spray



**Touch 4 times**

All functions combined



**Touch 5 times**

Back to normal shower

A large range of accessories are available to ensure that the Palma Vita can be customised for users with various physical conditions. These include support seats, straps and proxy switches.



We manufacture a range of shower chairs and tilt in space chairs which have been designed specifically for use in conjunction with the Palma Vita, including bespoke, user specific models. See page 19 for details.



## AquaClean Mera Care




The new AquaClean Mera Care shower toilet has been specifically designed to improve quality of life of for those elderly and disabled people who have difficulty using a conventional toilet, and offer the perfect combination of aesthetics and functionality.

## Features

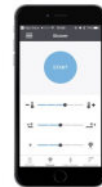
- Rimless ceramic – TurboFlush
  - Height adjustable
  - Powerful built in odour extraction
  - Shower chair mode
  - Automatic flushing via user detection
  - Constant warm water with adjustable temperature control
  - Industry leading 1 minute Wash cycle
  - Whirlspray Shower Technology
  - Oscillating Wash
- Warm air dryer
  - Adjustable wash arm positioning
  - 5 programable user settings
  - Bluetooth Technology
  - Self servicing function including descaling
  - 5 Year FREE Warranty
  - YouTube video support
  - Personalise and store user preferences via the remote control
  - Three operating options for convenience;



1. Remote



2. Wall mounted control panel

3. App  
(featuring voice control)

We manufacture a range of shower chairs and tilt in space chairs which have been designed specifically for use in conjunction with the AquaClean Mera Care, including bespoke, user specific models. See page 19 for details.



## Other Products Available from Chiltern Invadex

### Hoists and Slings

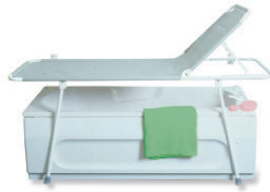
A range of active and passive hoists complete with an extensive range of compatible slings.



### Shower Trolleys and Stretchers



TRT1



T12 fold up stretcher



Trolley liner is available in various colour options



Pressalit height adjustable stretcher

### Wet Floors and Shower Cubicles



The above is a selection of products available for full details of product ranges please contact us at [sales@chilterninvadex.co.uk](mailto:sales@chilterninvadex.co.uk) or visit our website at [www.chilterninvadex.co.uk](http://www.chilterninvadex.co.uk).