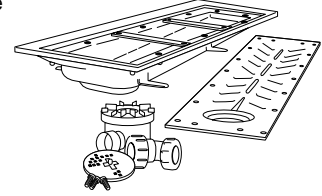


# SHOWER DRAIN



## Invaflo Shower Drain

- Provides an alternative to metal drains and gullies. An Ideal shower drain for whole floor shower areas
- Moulded from tough and resilient non-corroding GRP (glass reinforced plastic) material
- Featured as standard, an all plastic clamping plate, with easy access waste trap (supplied with all sizes) which is easily cleaned during routine maintenance
- Easy to install
- Clamping plate for PVC floor membrane
- Built in gully with surface access trap
- No earth bonding required under electrical regulations
- Colour choice
- Supplied with trap/grid

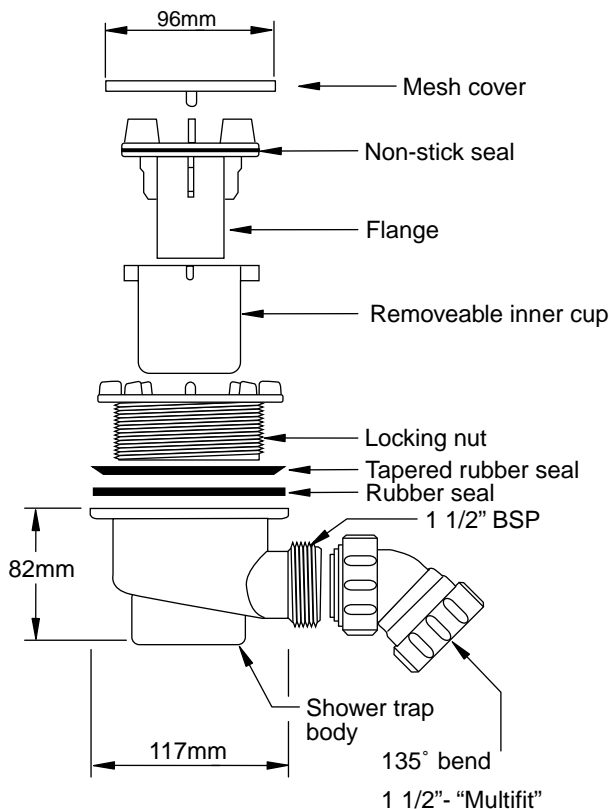


code	product	Price
IDIIF10W	1000mm x 225mm x 100mm depth supplied with trap and grid	£208
IDIIF125W	1250mm x 225mm x 100mm depth supplied with trap and grid	£263
IDIIF14W	1400mm x 225mm x 100mm depth supplied with trap and grid (Illustrated below)	£292
IDIIF175W	1750mm x 225mm x 100mm depth supplied with trap and grid	£363

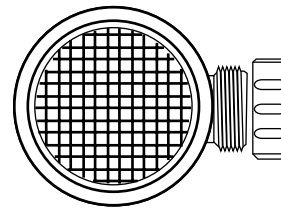
Note: This drain is designed for use on concrete floors. It is NOT advisable to install the drain on wooden floors.

## CROSS SECTION THROUGH INVAFLO GRAVITY WASTE

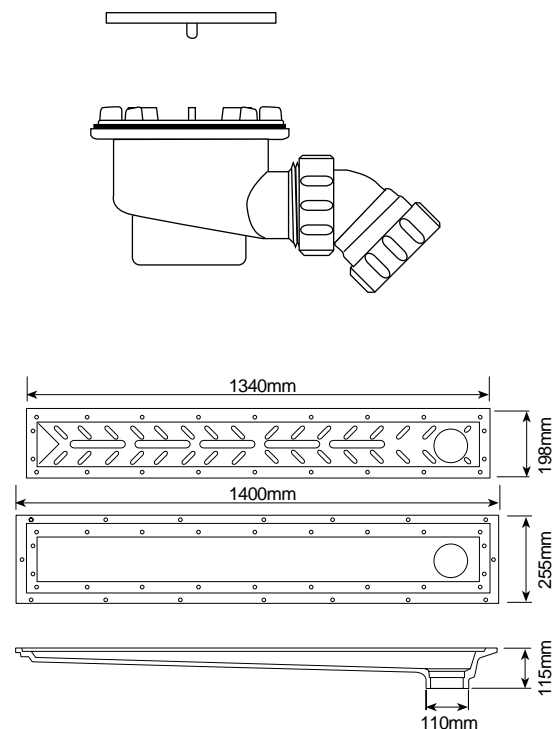
### Invaflo gravity waste exploded view



### Invaflo gravity waste plan view



### Invaflo gravity waste cross section assembled



#### SYMBOLS:

Bulk/oversized item



Made to order (see P192)



Tel: 0800 917 0399  
www.chilterninvadex.co.uk

Fax: +44 (0) 1869 365588  
sales@chilterninvadex.co.uk