

SHOWER CRADLES - TILT IN SPACE



Shown with optional aperture and quilted side rails

Tilting Shower Cradle

Maximum Load 130kg (20 stones) (286lb)

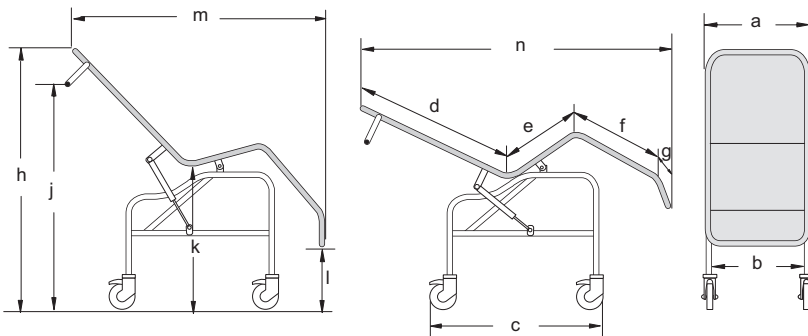
- Designed and tested in conjunction with Occupational Therapists and healthcare professionals
- Offers a safe, controlled and comfortable showering position
- Twin gas rams to ensure to ensure smooth reliable operation
- Single hand control lever for ease of use
- Stainless steel, plastic dip coated construction for strength and durability
- Corrosion resistant stainless steel and nylon braked castors. Directional locking castor available.
- Available with or without aperture
- Easy drain mesh material which is removeable for cleaning
- Bespoke options available, subject to survey
- Range of accessories including head rests, lap straps and thoracic supports available

code	product	Price
WASHCRADTISP	Tilting cradle (paediatric)	from £890
WASHCRADTISS	Tilting cradle (small)	from £900
WASHCRADTISM	Tilting cradle (medium)	from £910
WASHCRADTISL	Tilting cradle (large)	from £920

Tilt in Space Cradle custom made features

selection	description	Price
Frame	Width change	£141
	Raise or lower seat height	£105
	Increase or reduce cradle length	£141
Fabric options	Add aperture (small, medium or large)	£40
	Add non-standard aperture	£65
	Add lap strap/chest strap	£125
Side rails	Addition of side rails	£95
	Enveloped rails	£150
	Padded rails	£115
Specialist	Quilted rails	£150
	Thoracic support rolls	£PoA
	Adjustable, removable headrest support	£160
	Dartex head cushion	£100
	Dartex knee support	£85
	Footboard	£121
	Dartex pommel	£85

For full paediatric range see page 59



Reclined cradle with optional padded side rails

	a	b	c	d	e	f	g	h	j	k	l	m	n
Paediatric	380	495	780	550	280	270	150	1005	885	650	410	820	1080
Small	500	510	780	620	280	400	150	1170	1020	660	300	820	1210
Medium	500	510	780	750	350	480	150	1260	1110	650	200	1120	1430
Large	575	575	780	900	400	570	150	1350	1200	640	150	1440	1740

SYMBOLS: Bulk item
Made to order
Anti-microbial coating



Tel: 01869 365500
www.chilterninvadex.co.uk

Fax: 01869 365588
sales@chilterninvadex.co.uk