

# 7 easy steps to fit a ... Impressions collection D640 Shower Enclosure

**Note:** These instructions cover both full and half height enclosures.

## 1. Marking position of wall channel

Note: Always fit the end panel before proceeding with assembly. Place one of the wall channels in the slot on the tray and against the wall. Make sure it is vertical, as Fig 1.1. Pencil on the walls alongside the wall channel to mark the position, as Fig 1.2. The adjustment slots should be facing inwards as Fig 1.3. The flange part of the wall channel should be approximately 18mm from the tray edge. Using a pencil mark through the 4 slots as Fig 1.4 and drill the wall 2" (50mm) deep as Fig 1.5. Apply a film of silicone sealant to the inside edge of the wall channel. Use 1 1/2" (38mm) screws & rawl plugs and fix wall channel to wall. Slide in the large end panel and fit into wall channel as Fig 2.1. Fix with screws, slot covers and shakeproof washers as Fig 2.2. Do not fully tighten screws.

## 2. Fit corner section

Slide curved corner section on to panel and over pre-fixed corner block and tighten. Make sure the grub screw (at bottom of corner section) fastens securely to pre-fixed block using Allen key provided as Fig 2.3.

Fix to end panel with screws, slot covers and shakeproof washers. Do not fully tighten screws.

## 3. Fixing the pole section

Position remaining wall section and fit as item 1. Note: Flange part of the wall channel should be approximately 18mm from tray edge. Decide on position of small panel and fix with screws, slot covers and shakeproof washers, as Fig 3.1/3.2. Do not fully tighten. Check black spiked seal is at the bottom. Decide on position of pole as Figs 3.3/3.4. Place in position with pole plate in place as Fig 3.5. Do not drill yet. Fix pole section to small panel with screws, slot covers and shakeproof washers. Do not fully tighten.

## 4. Door options

**NOTE: Doors always open outwards.** Stand the door on the tray. Slide door into the appropriate channel, see Fig 4.1-4.4. If necessary reverse the top and bottom seals. Ensure black spiked seal is at bottom and in contact with tray and fix with screws, slot covers and shakeproof washers. Do not fully tighten. Fix door receiver into opposite channel. Close the doors and check that the magnetic strip in the door receiver makes contact. Magnets hold the door closed, adjust receiver if necessary. Align the jamb correctly. Recheck that the doors open and close properly. When satisfied fully tighten all screws, slot covers and shakeproof washers. **Final adjustment should be left until enclosure is fully erected.**

## 5. Assembling top span

Top span is in 3 sections (short & long pieces for the front, medium for the side as Fig 6.2. Insert black dust covers into all top spans facing downwards as Fig 6.1. Assemble the front section first. Using the 4 hole connector provided join the top spans and leave a gap to accommodate the pole as Fig 6.1. Make sure pre-drilled holes are on the inside. Before fastening in place insert nut into top of each span - this is for fixing curtain rail later, as Fig 6.1. Repeat above for end section.

## 6. Fit end caps (half height enclosure)

**NOTE: Please note on final fixing: black end caps need to be secured in position using silicone sealer.**

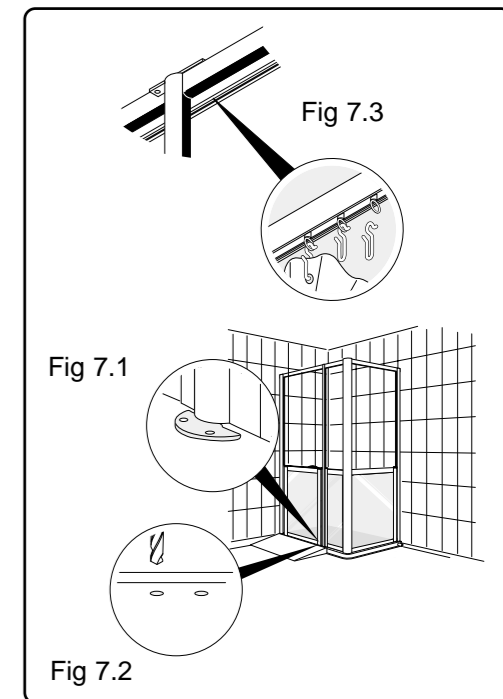
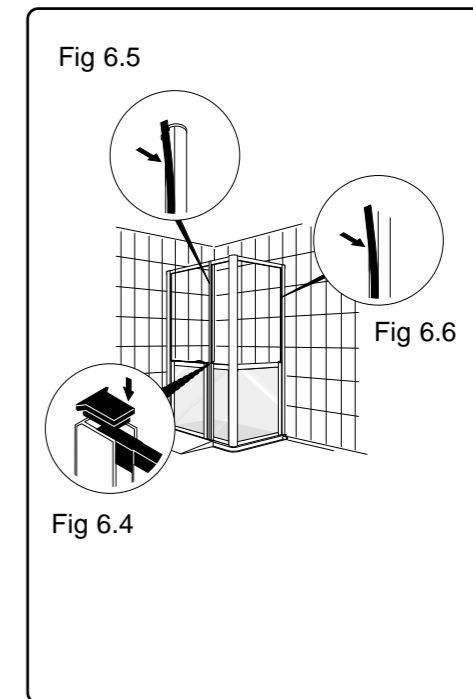
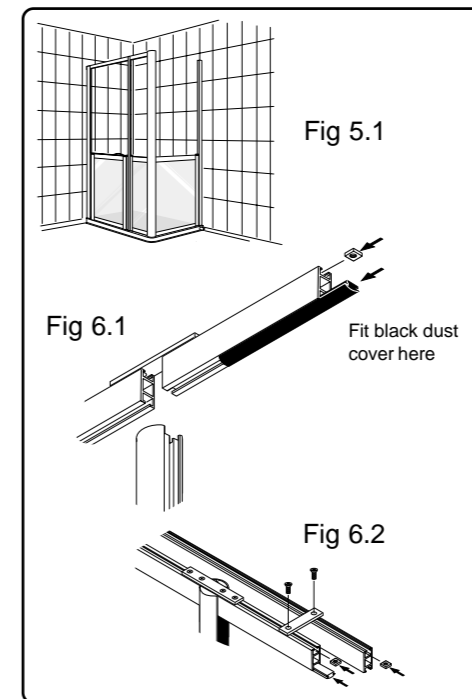
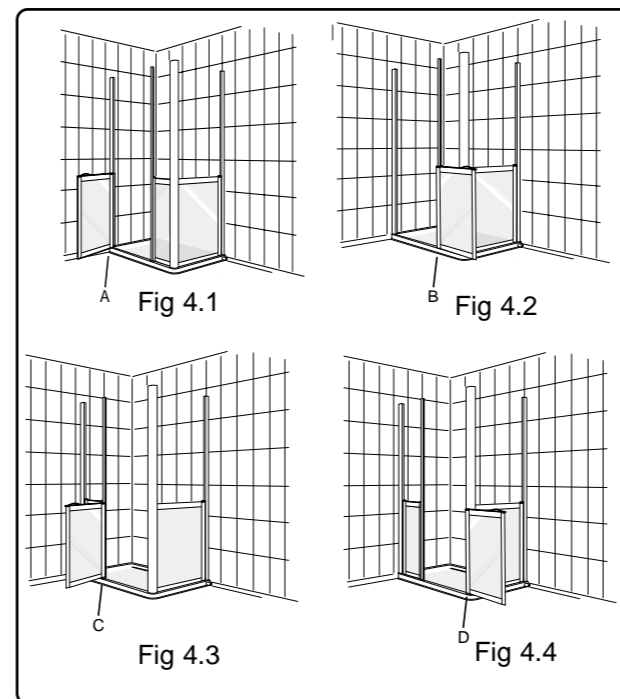
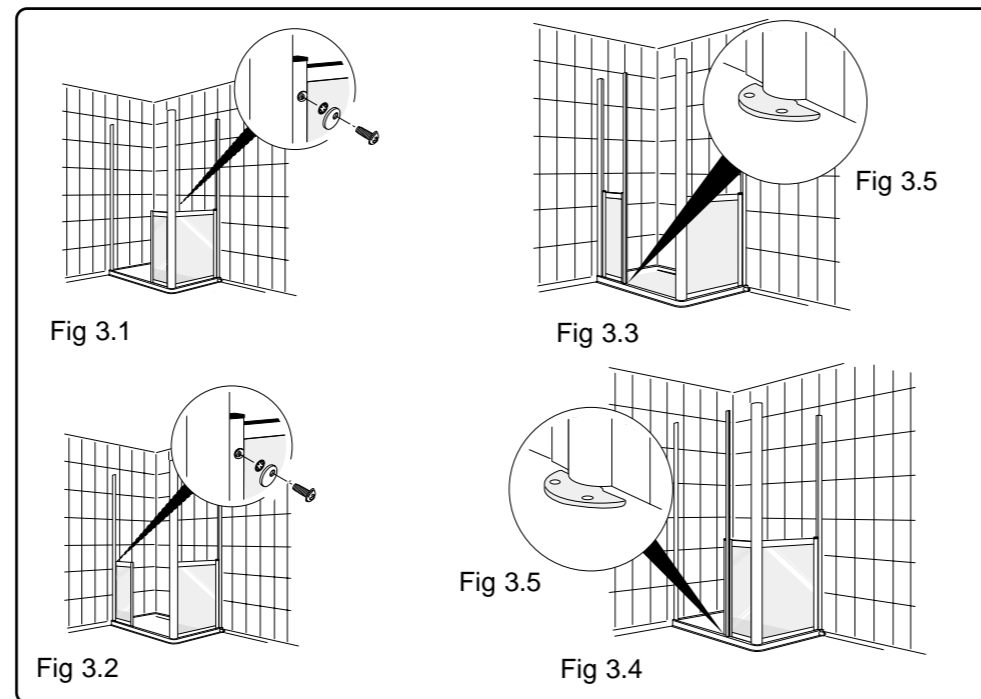
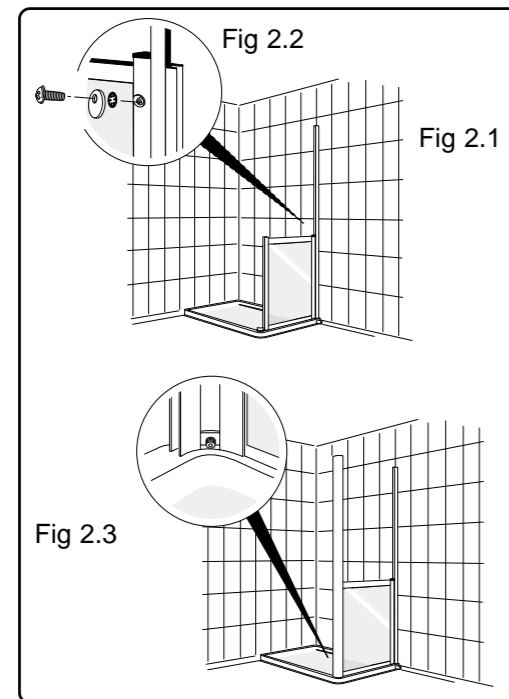
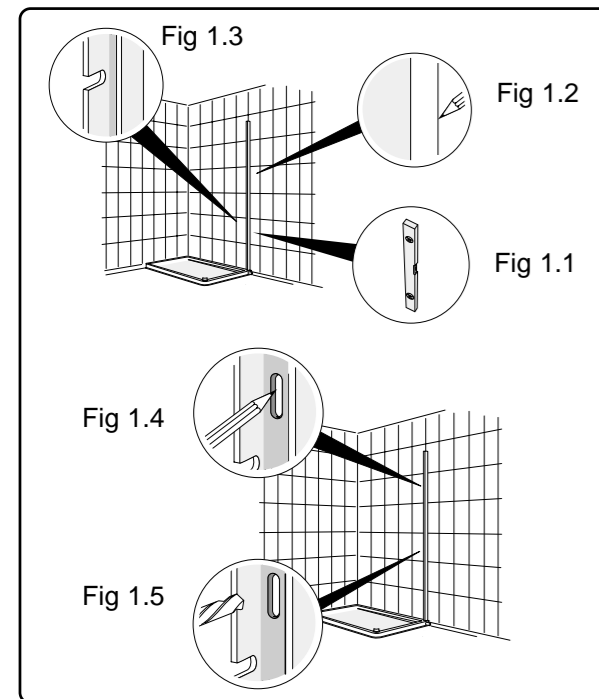
Fit end caps as shown in Fig 6.4. Snap on the two black ribbed pole covers as Fig 6.5. **Insert the four black channel covers as Fig 6.6. \*NOTE: Not applicable if using full height enclosure.** Check enclosure is square and vertical.

Check door opens and closes correctly. Check jamb pole fixing plate is correctly aligned as Fig 7.1. Using drill bit provided drill tray and screw pole fixing plate in position as Fig 7.2. Re-adjust locking screws if necessary.

## 7. Fit curtain rail (half height enclosure) /final fix

Load up with curtain hooks glides and end stops, before fixing. Use the 3 curtain rail brackets and fix using 3 x M5 x 6mm screws and nuts for top span and 3 x M5 x 10mm screws and nuts for curtain rail. Position brackets evenly over the 3 top spans as Fig 6.2. Attach shower curtain to hooks on rail, as Fig 7.3. **Note:** There are 2 small holes on each upright section (between top and bottom slots). Using drill provided drill through inner section and secure with stainless steel pan head screw provided.

\* curtain rail applies to half height panels only.

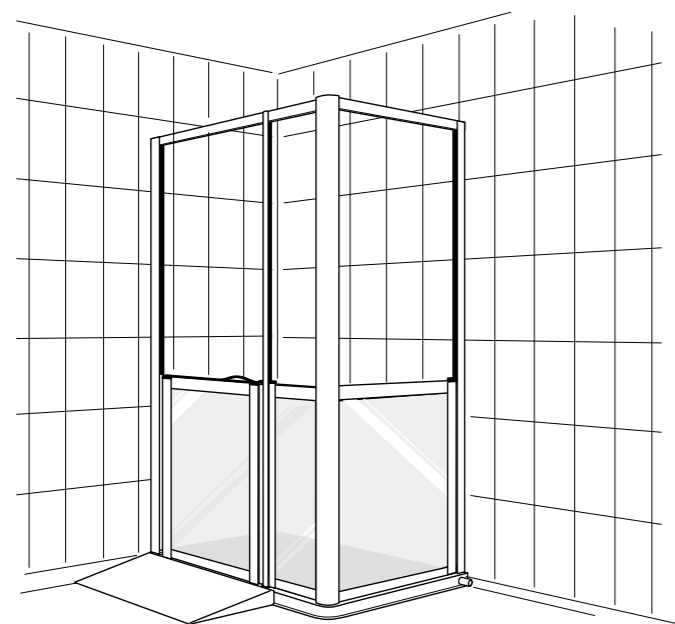
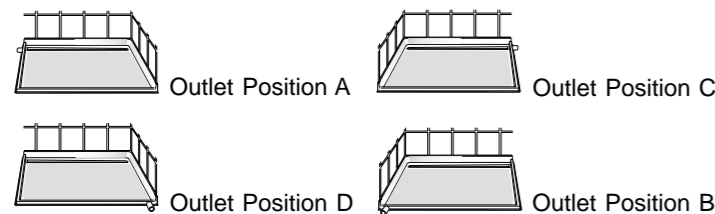


## 5 easy steps to fit a ... Impressions collection D640 Shower Tray

### Installation Notes:

The waste outlet pipe is connected to existing drain through a running trap. Always ensure there is adequate fall of the waste pipe (we recommend 1:40).

Safety note: Please wear protective gloves when handling trays.



### 1. Checking level

Place the shower tray into the corner and ensure the shower base is level along its width and length as Fig 1.1.

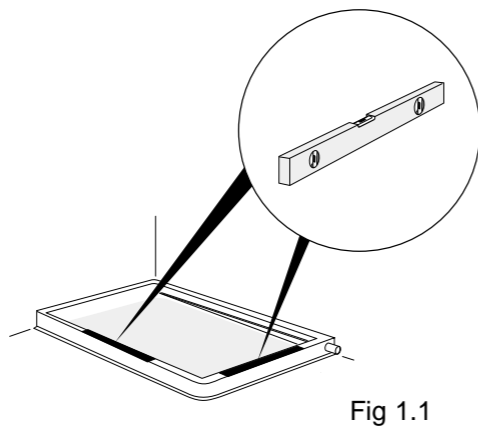


Fig 1.1

### 2. Marking plaster

Mark the plaster above the tiling lip, as Figure 2.1. Take the shower tray away.

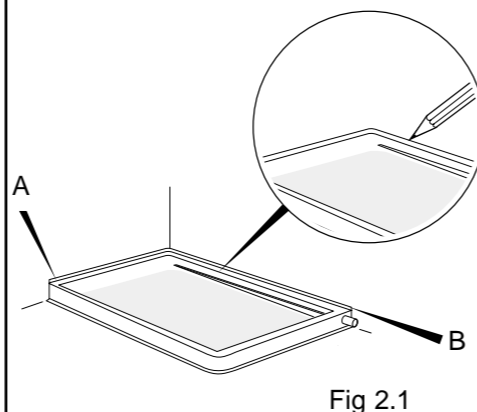


Fig 2.1

**Important:**  
Tiles at A and B must be level and vertical to the surface of the tray to take wall channels.

### 3. Removing the Plaster

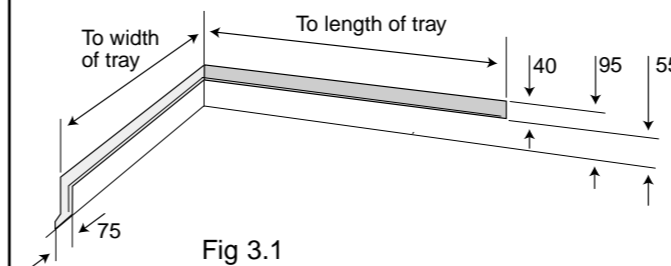


Fig 3.1

Remove the plaster below the mark you just made to a depth suitable to take the tiling lip, as Fig 3.1.

This will vary according to the thickness of the tile to be used as Fig 3.2.

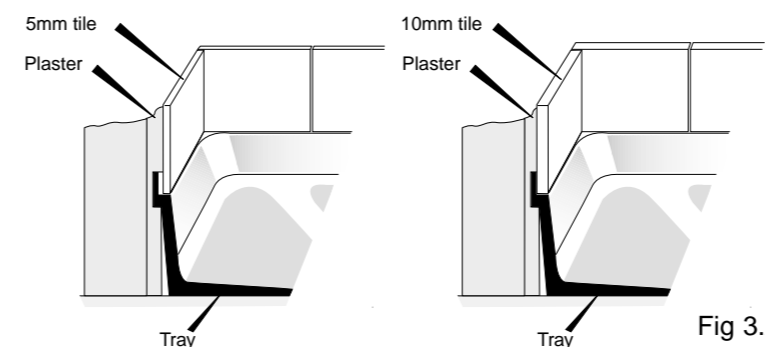


Fig 3.2

### 4. Drilling lip

Drill and countersink the tiling lip at the points shown in Fig 4.1. Mark and plug the walls. Apply silicon sealant to the underside edges of the tray and fix tiling lips securely with 1 1/2" No 8 screws provided. Drill through bottom lip into the floor to secure the tray to the floor, as Fig 4.2 checking the tray is level before final fixing.

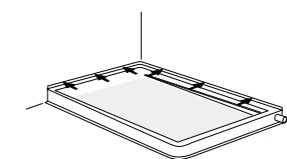


Fig 4.1

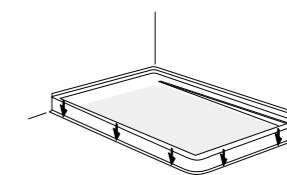


Fig 4.2

Insert packing strips to level if required.

### 5. Tiling

When fastening is complete, tile down to the angle of the tiling lip using waterproof adhesive and grout.

### If you require additional help

6 Wedgwood Road Bicester Oxon OX26 4UL  
Tel: 01869 246470 Fax: 01869 247214

**Northern Ireland**  
5 Balloo Way, Balloo Industrial Estate, Bangor, Co Down BT19 7QZ  
Tel: 028 9145 0497 Fax: 028 9127 0046

**Scottish Office**  
Unit 16 Evans Business Centre 68-74 Queen Elizabeth Avenue  
Hillington Industrial Estate Glasgow G52 4NQ  
Tel: 01869 246470 Fax: 01869 365588

Copyright © Chiltern Invadex Ltd. The design of the product shown in this installation guide is vested in Chiltern Invadex Ltd and should not be copied or reproduced in anyway whatsoever without the express permission of Chiltern Invadex Ltd. This is an original design of Chiltern Invadex Ltd in which Design Right Subsists.  
Published by Chiltern Invadex Ltd 6 Wedgwood Road Bicester Oxon OX26 4UL Registered in England No: 1182024 CINV 480.01 07/06  
In Northern Ireland: Chiltern Invadex (NI) Ltd, 5 Balloo Way, Balloo Industrial Estate, Bangor, County Down BT19 7QZ Registered No: NI 19958.