

7 easy steps to fit a ... Standard Sandwell MK3/N

1. Marking the wall

Place the Sandwell jamb with full height pole onto the side of the tray.

Note: Ensure bottom fixing plate with holes facing outwards is in position as Fig 2.1. Position jamb approximately 55mm from the edge, as Fig 1.1. Make sure it is vertical as Fig 1.2 and mark the wall alongside the wall channel as Fig 1.3

Note: Pole supplied separately.

2. Drilling the wall and fixing jamb panel

Remove channel from jamb and place on wall as Fig 1.4. Using a pencil mark through the slots and drill the wall 50mm deep (2") using a 5.5mm drill, as Fig 1.5 & 1.6. Apply a film of silicone sealant to the inside edge of the wall channel.

Secure to wall with wall plugs and 1½" x No 8 screws.

Push panel into wall channel. Fasten loosely with self tapping screws, slot covers and shakeproof washers provided. Repeat with pole section ensuring fixing plate is in position as Fig 4.6. Check panel is level horizontally and vertically. Screws are fully tightened later. The pole fixing plate is also screwed in position later.

3. Positioning tri-fold door

Place the tri-fold door onto the tray in its fully closed position ensuring the bottom seal is in contact with the tray, as Fig 3.1.

Ensure the wall channel is flat against the wall and is to the extreme left of the tray slot. This is for a left hand tray. It is on the right for a right hand tray.

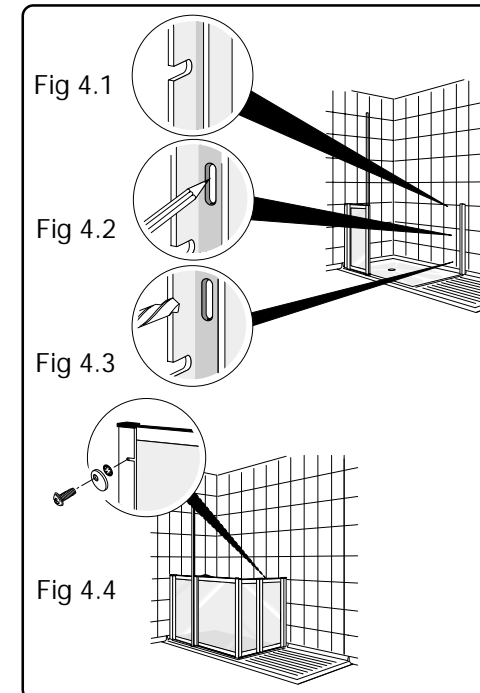
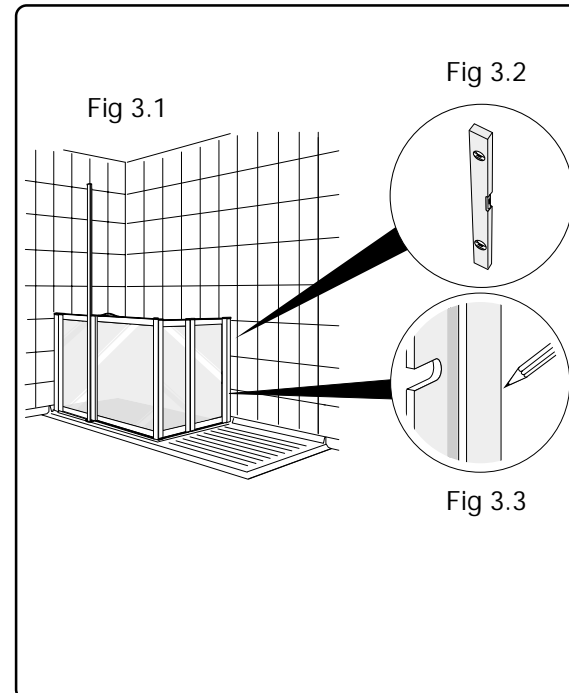
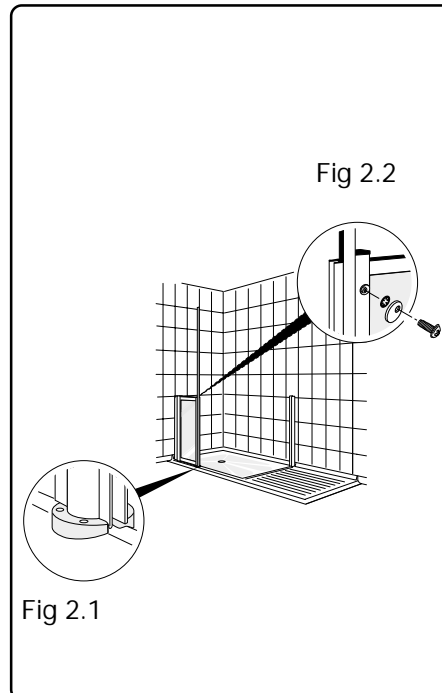
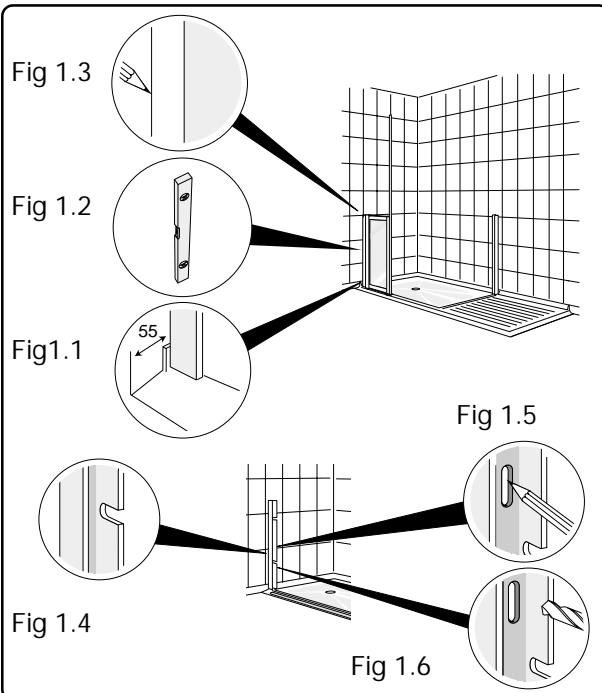
Check the wall channel is vertical, as Fig 3.2 and mark the wall alongside the channel, as Fig 3.3.

4. Fixing tri-fold doors

Remove the tri-fold doors from the tray and place on the wall channel should be facing into the tray. Mark the wall with a pencil mark through the slots and drill the wall 50mm deep (2") using a 5.5mm drill. Apply a film of silicone sealant to the inside edge of the wall channel, as Fig 4.1-4.3.

Replace tri-fold doors, as Fig 4.4. Fasten loosely with self tapping screws and shakeproof washers provided as Fig 4.5. Repeat with each other. Adjust doors to open and close. Ensure doors are in contact with the tray.

When satisfied that doors are correctly adjusted, tighten screws and shakeproof washers, Drill and fix pole screws provided, as Fig 4.6.

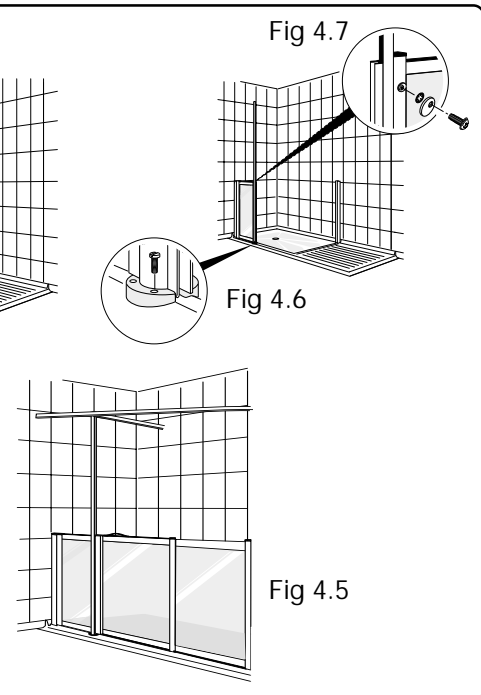


Narrow Sandwell Shower Enclosure

Remove the wall channel and slide off the wall. The slots in the shower area as shown in Fig 4.1. Using a 5.5mm drill, drill the wall 50mm deep (2") using a 5.5mm drill. The edge of the wall channel and secure to

Securely with self tapping screws, slot covers are provided. Check magnetic strips are in contact and close correctly, ensuring the bottom seal is

Adjusted. Fully tighten all screws, slot covers and pole fixing plate to tray with cheesehead



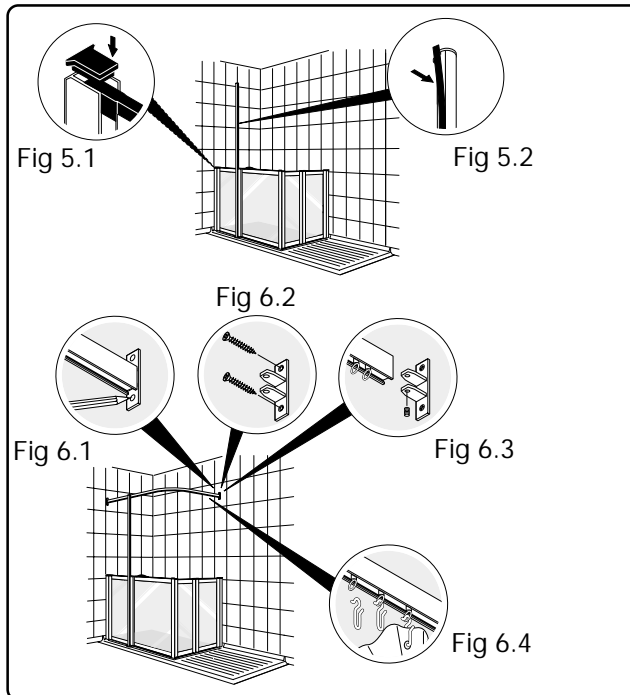
5. Fixing slide and fold doors

N.B. Standard Sandwell only.

Fix jamb with full height pole as step 1. Place doors in a closed position across the front of the tray approximately 55mm from the edge as Fig 4.5. Make sure it is vertical and mark the wall alongside the wall channel. Remove doors and slide off wall channel. Secure to wall as in step 2. When satisfied that doors are correctly adjusted. Fully tighten all screws, slot covers and shakeproof washers, Drill and fix pole fixing plate to tray with cheesehead screws provided, as Fig 4.6.

6. Fitting end caps

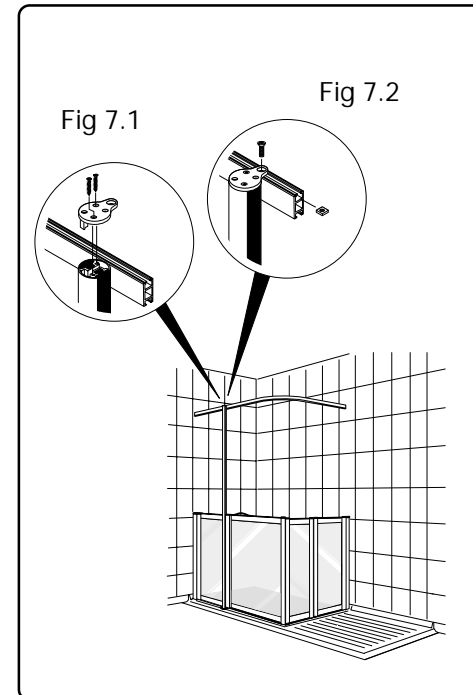
Fit end caps as shown in Fig 5.1. Fit pole cover strips, as Fig 5.2. On final fitting end caps need to be secured in position using silicone sealant.



7. Fit curtain rail brackets and curtain

Position curtain rail at height to connect to bracket at top of grab pole. Check level & mark walls for fixing wall brackets, as Fig 6.1. Drill wall with 5.5mm drill to a depth of 2" (50mm). Fix curtain rail brackets to wall with plugs and 1 1/2" x No 8 screws, as Fig 6.2. Load hooks and glides into bottom channel of curtain rail. Place 1 M5 nut in top channel of curtain rail as Fig 7.2. Attach to brackets and tighten with the allen key provided, as Fig 6.3. **Note:** Attach short rail when using straight curtain rail option, as Fig 4.5.

Check pole is vertical. Using M5 X 10mm stainless steel bolt attach to curtain rail with nut already in place, as Fig 7.1. Using 3/4" x 6's stainless steel screws secure pole bracket to top of pole rail, as Fig 7.2. Attach shower curtain to hooks on rail, as Fig 6.4.



If you require additional help

Southern regional office

6 Wedgwood Road Bicester Oxon OX6 7UL
Tel: 01869 246470 Fax: 01869 247214

Scottish divisional office

Unit 16, Evans Business Centre, 64-78
Queen Elizabeth Avenue,
Hillington Industrial Estate, Glasgow, G52 4NQ
Tel: 0141 880 9986 Fax: 0141 880 9990

Northern Ireland

5 Balloo Way, Balloo Industrial Estate,
Bangor, Co Down BT19 7QZ
Tel: 02891 450497 Fax: 02891 270046

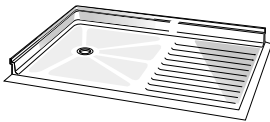
Chiltern
Invadex
Solutions for Living

Sandwell MK3/Narrow Sandwell Tray & Enclosure Installation Guide

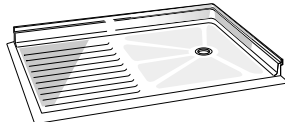


Installation Notes:

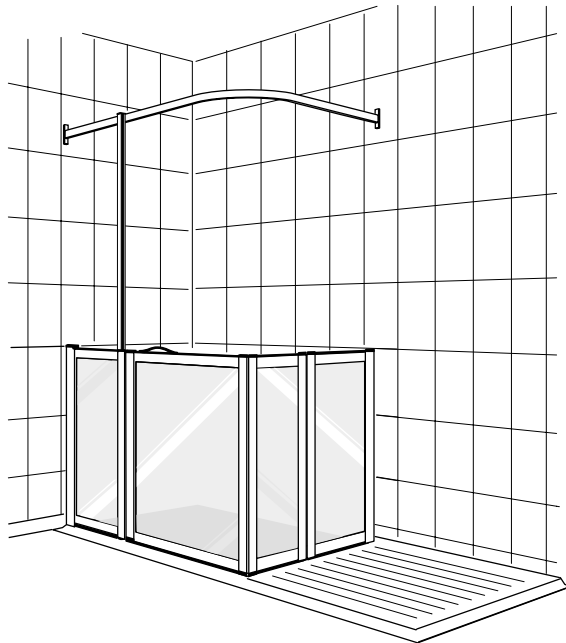
Safety Note: Please wear protective gloves when handling trays.
 Consult your client for the position /height of the shower mixer valve/heater and install inlet water and/or electrical services.
 During assembly protect shower base from scuffing using a piece of cardboard.
 Wear eye protectors when trimming tray.



Left Handed Sandwell



Right Handed Sandwell



7 easy steps to fit a ... Star

1. Floor removal

Preparing a wooden floor

Mark dimensions (from face of plaster) as Fig 1.1 (Fig 1.2 for narrow Sandwell). Cut out floorboards as Fig 1.3. Trim any obstructions such as floor joists in area around waste trap and pipe.

Preparing a concrete floor

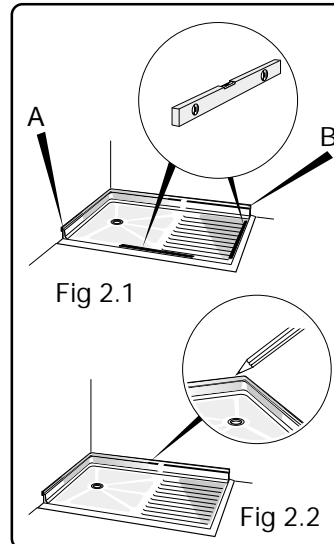
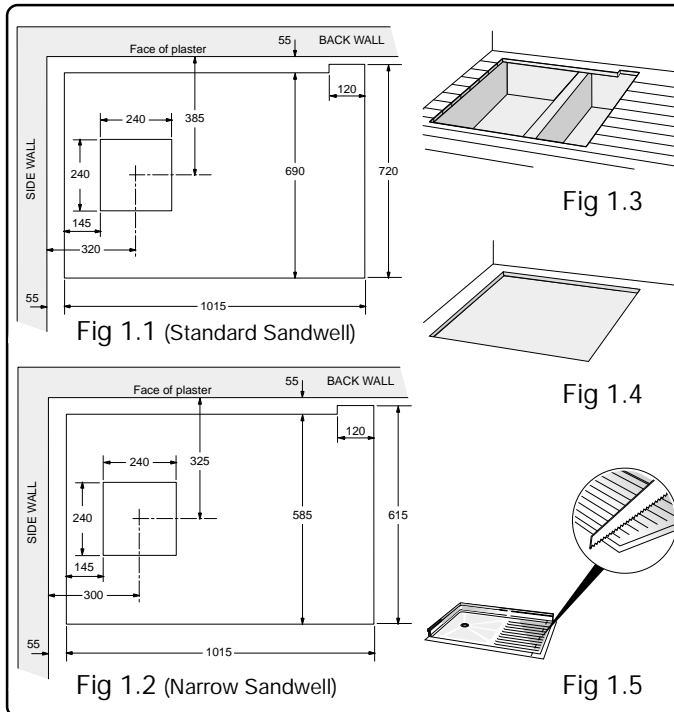
Break out screed or concrete to 20mm (3/4") depth to dimensions shown in Figs 1.1/1.2 You will also need to remove an area to a depth of 95mm x 125mm diameter to take the waste trap. Use a jigsaw or hardpoint saw to trim excess tray length to length required, as Fig 1.5.
***See footnote re: flexing of tray.**

2. Marking plaster

Place the shower tray into the corner and ensure that the shower base is level along its width and length, as Fig 2.1.

Mark the plaster above the tiling lip, as Fig 2.2 and door recess point and take the tray away.

Important:
 Tiles at A and B must be level and vertical to the tray to take the wall channels.



*Note: To take up the space underneath the tray (to stop it from flexing) set the tray (showering area only) on a 3:

Standard Sandwell MK3/Narrow Sandwell Shower Tray

3. Remove plaster / waste connection

Remove the plaster below the mark you just made to a depth suitable to take the tiling lip, as Fig 3.1.

This will vary according to the thickness of the tile to be used, as Fig 3.2.

Remove a small area of plaster to fit door recess point as Fig 3.1.

Decide on direction of waste outlet and break out wall if required, as Fig 4.1.

If it is a solid floor, break out a channel to take the waste pipe to the stack.

NOTE: Always ensure there is adequate fall of waste pipe to stack.

4. Checking level

Replace the shower tray in position. Check level as Fig 2.1. Insert packing strips to level if required.

Assemble waste trap as shown in Fig 5.1. Coat trap body and underside of shower base above and below seal with silicone sealant. Connect waste pipe to stack outlet ready for final fixing of shower tray. Drill and countersink the outer edges of the tiling lip at the points shown in Fig 6.1. Mark and plug the walls.

5. Final tray fixing

Always ensure the showerbase edges are flat and level before fixing. Fix outer edges of tiling lips securely with 1 1/2" x 8 Pozi-Drive zinc plated countersunk screws provided.

6. Making good

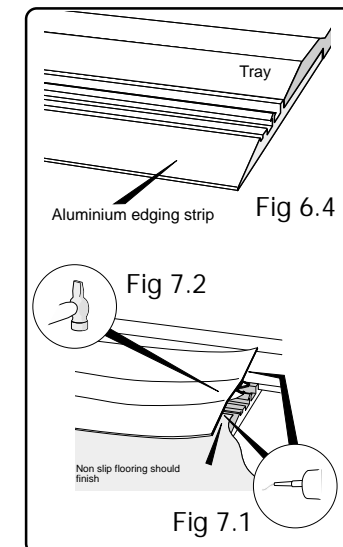
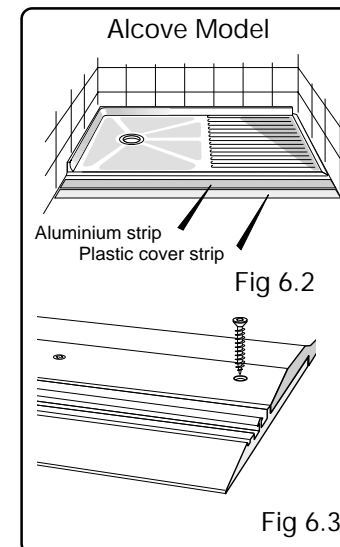
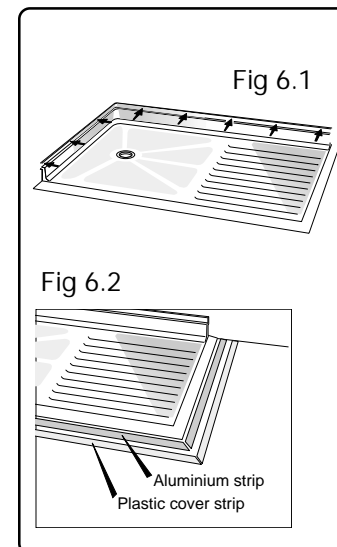
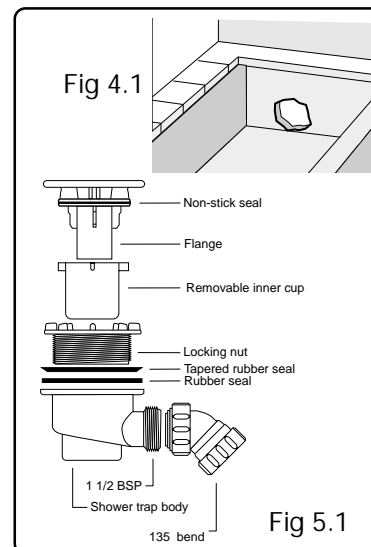
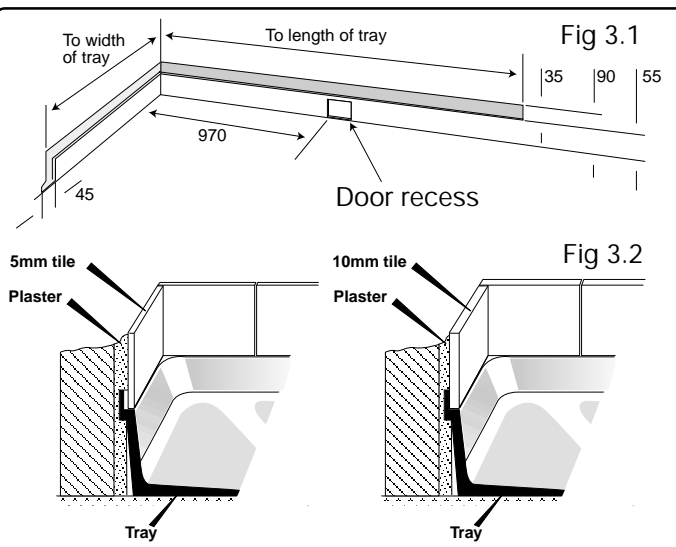
Cut to length or mitre aluminium edging strip as Fig 6.2 (as appropriate) using a hacksaw. NOTE: Aluminium strip must butt up to edge of tray as shown in Fig 6.3.

Drill and countersink front edge of tray and aluminium edging strip. White cover strip should be fitted after floor covering has been laid. Check to make sure the tray is level before final fixing. NOTE: Only use the short edge when the tray has not been cut to length to fit between two walls.

7. Before tiling

Ensure any plumbing and electrical work has been completed. Make good plaster work. Tile down to the angle of the tiling lip using waterproof adhesive and grout.

Anti-slip flooring should finish over the aluminium edging strip as Fig 6.4. Apply a bead of mastic to tray edge and edging strip as shown in Fig 7.1. Finally knock the plastic trim cover into place, taking care to lock the components together as Fig 7.2.



dry sand and cement mix. Place tray on top for imprint, remove and position drain. Sprinkle surface with water, place tray on top and hold until secure. Always ensure the tray is level, as shown in Fig 2.1.