

Ferndale Tray & Enclosure Installation Guide

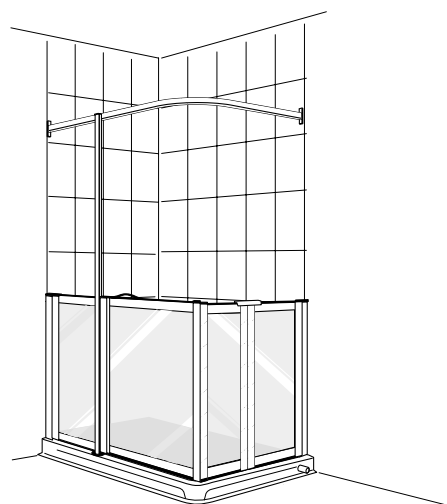
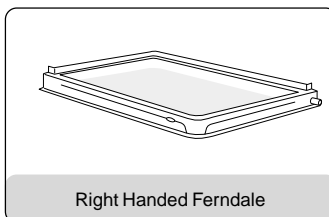
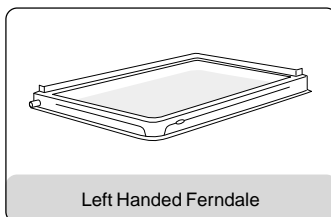


6 easy steps to fit a ... Ferndale Easy Access Shower Enclosure - Trifold

Installation Notes:

Safety note: Please wear protective gloves when handling tray.

The Ferndale shower base is designed to be installed in corner areas with the minimum of disturbance to the underlying floor area. It is available with a choice of waste outlet positions (as shown below) to provide easy access to existing drains



1. Marking the wall

Place one of the wall channels in the slot on the tray and against the wall, together with the Ferndale jamb. Make sure it is vertical as Fig 1.1. Pencil on the walls alongside the wall channel to mark the position, as Fig 1.2. The adjustment slots should be facing inwards as Fig 1.3. The flange part of the

wall channel should be approximately 25mm from the tray edge.

Fig 1.2

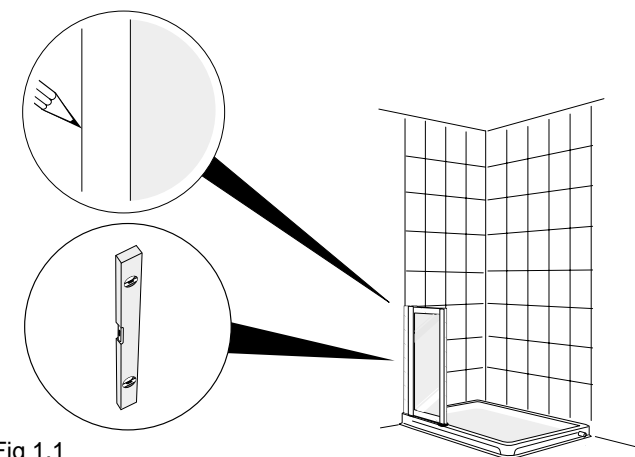


Fig 1.1

2. Drilling the Wall

Remove channel from jamb and place on wall. Using a pencil mark through the 2 slots as Fig 1.4 and drill the wall 50mm deep (2") using a 5.5mm drill as Fig 1.5. Apply a film of silicone sealant to the inside edge of the wall channel.

Tiled installations:
Use 1 1/2" (38mm) No 8 screws and rawl plugs and fix wall channel to wall.

Wall panel installation:
Drill 10mm holes and use rawl plug rubber fixing supplied with panels. Screw into place using M5 x 50 screws supplied.

Slide in the jamb and fit into wall channel. Fasten loosely with self tapping screws, slot covers and shakeproof washers provided. Repeat with pole section ensuring bottom fixing plate is in position, ensuring the screw holes are on the outside as Fig 2.1. Do not drill yet. Fix the full height pole section to the small channel with screws, slot covers and shakeproof washers as Fig 2.2. Do not fully tighten.

Note: Pole supplied separately.

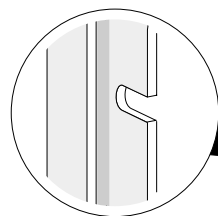


Fig 1.3

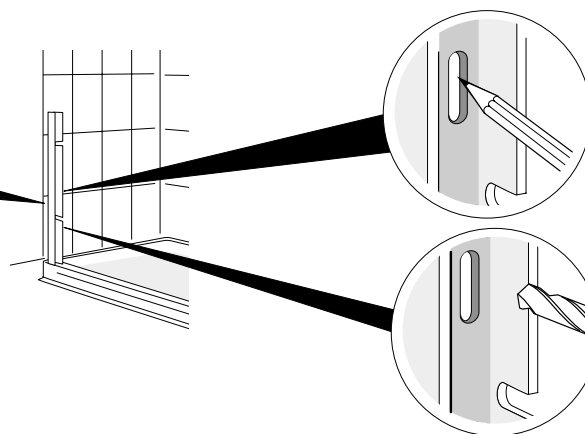


Fig 1.4

Fig 1.5

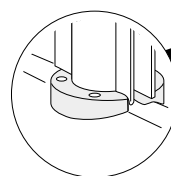


Fig 2.1

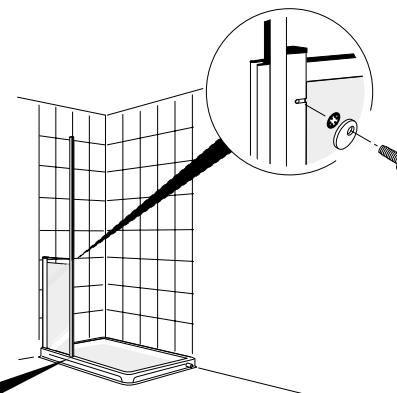


Fig 2.2

3. Positioning the Tri-fold Door

Place the tri-fold door onto the tray in its fully closed position ensuring the bottom seal is in contact with the tray, as Fig 3.1.

Ensure the wall channel is flat against the wall and is placed in slot on tray. This is for a right hand tray. It is on the left for a left hand tray.

Check the wall channel is vertical, as Fig 3.2 and mark the wall alongside the channel, as Fig 3.3.

Fig 3.2

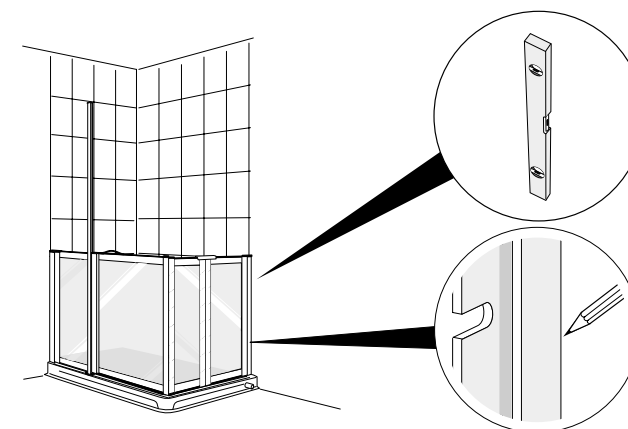


Fig 3.3

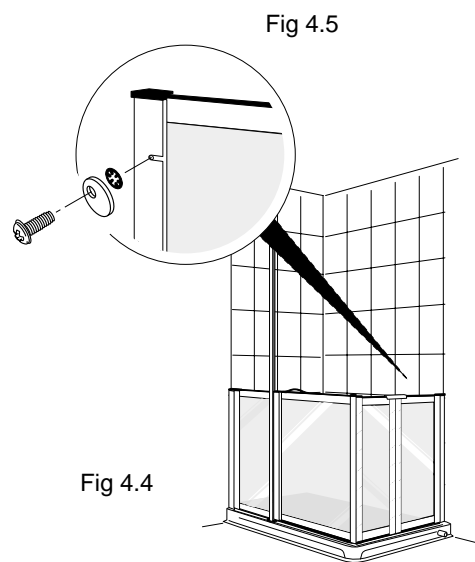
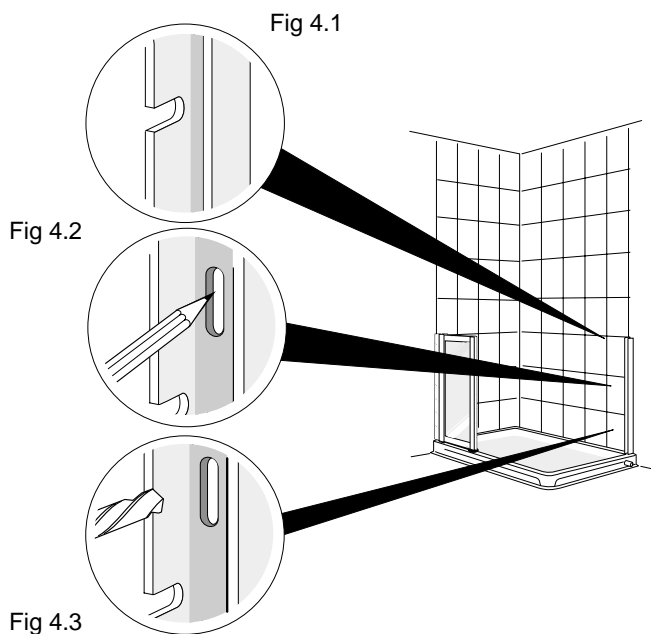
4. Fixing the Tri-fold Doors

Remove the tri-fold doors from the tray and slide off the wall channel. The slots on the wall channel should be facing into the shower area as shown in Fig 4.1. Using a pencil mark through the slots and drill the wall. Fix as previous example. Apply a film of silicone sealant to the inside edge of the wall channel and secure to wall, as Figs 4.1-4.3.

Replace tri-fold doors, as Fig 4.4. Fasten loosely

with self tapping screws, slot covers and shakeproof washers provided as Fig 4.5. Check magnetic strips are in contact with each other. Adjust doors to open and close correctly, ensuring the bottom seal is in contact with the tray.

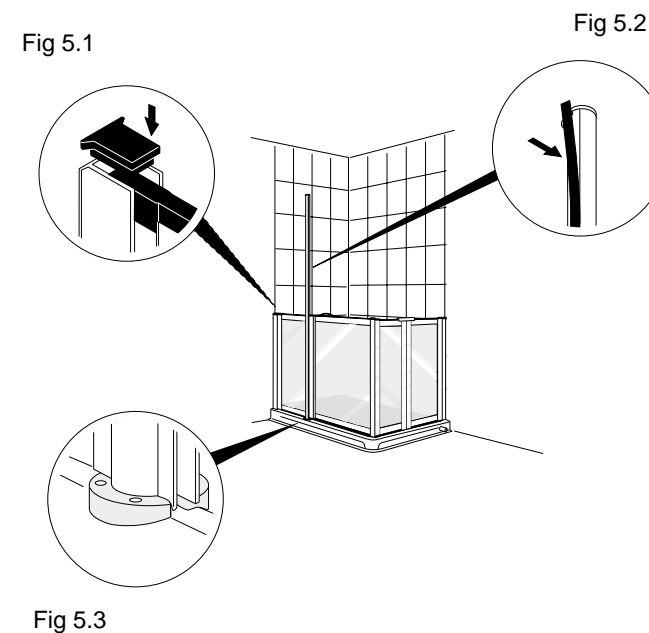
When satisfied that doors are correctly adjusted. Fully tighten all screws, slot covers and shakeproof washers.



5. Fitting Covers and End Caps

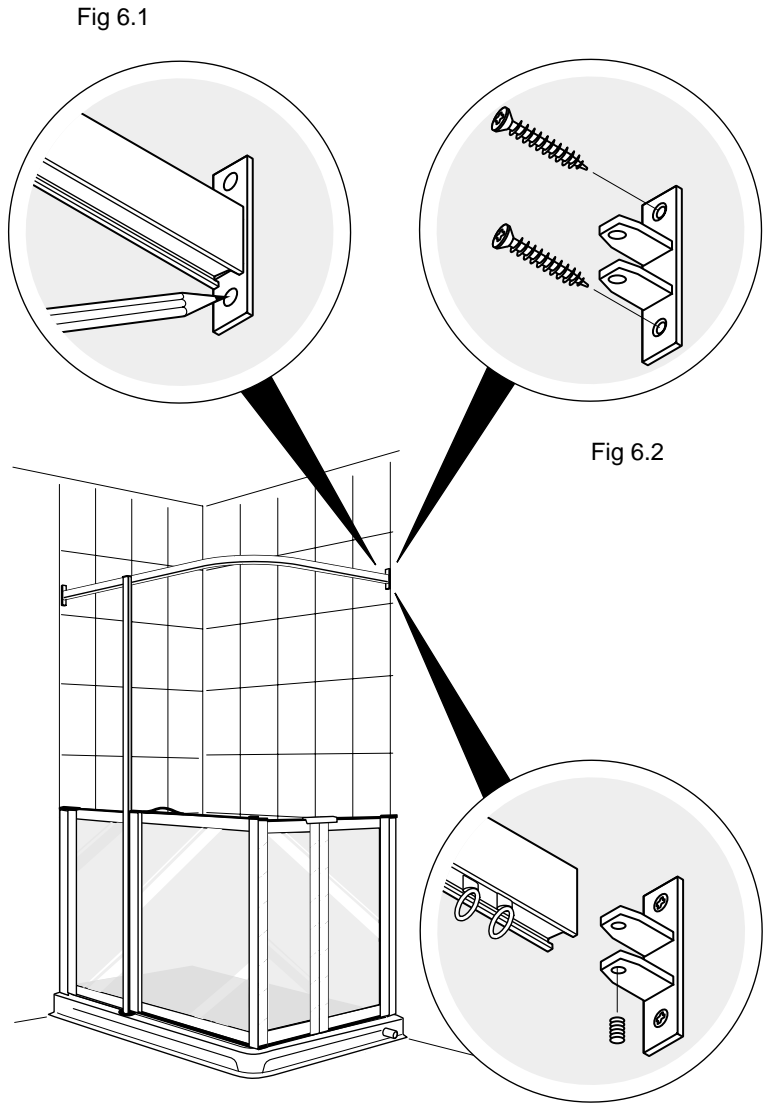
Fit end caps as shown in fig 5.1 and secure with silicone sealant. Snap on the two black ribbed pole covers as Fig 5.2. Check enclosure is square and vertical. Check doors open and close correctly. Check

jamb pole fixing plate is correctly aligned as Fig 5.3. Using drill bit provided drill tray and screw pole fixing plate in position. Re-adjust locking screws if necessary.



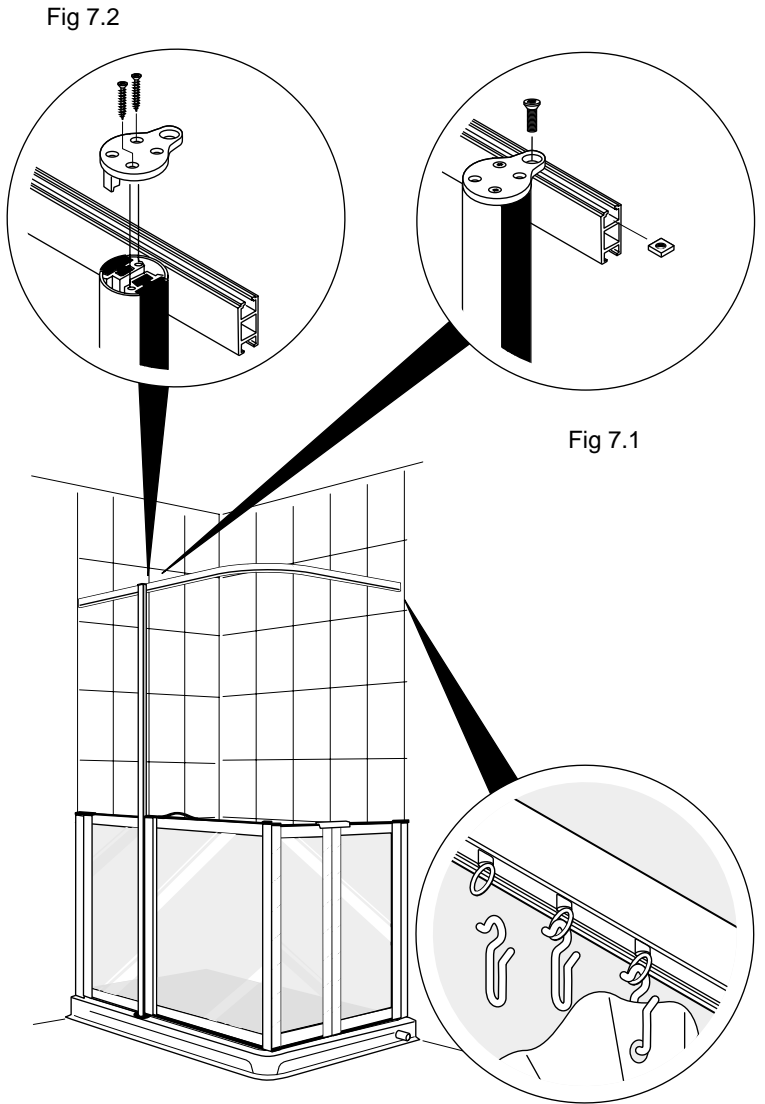
6. Fit curtain Rail Brackets and Curtains

Position curtain rail at height to connect to bracket at top of grab pole. Check level & mark walls for fixing wall brackets, as Fig 6.1. Drill wall with 5.5mm drill to a depth of 2" (50mm). Fix curtain rail brackets to wall with plugs and 38mm (1 1/2") x No 8 screws, as Fig 6.2. Cut to size if applicable.



Load hooks and glides into bottom channel of curtain rail. Place 1 M5 nut in top channel of curtain rail as Fig 7.1. Attach to brackets and tighten with the allen key provided, as Fig 6.3.

Check pole is vertical
Using M5 X 10mm screw attach to the curtain rail with nut already in place, as Fig 7.1. Using 3/4 " No 6 screws secure pole bracket to top of pole rail as Fig 7.2. Attach shower curtain to hooks on rail, as Fig 7.3.



9 easy steps to fit a ... Ferndale Easy Access Shower Enclosure - Single Door

1. Drill and Countersink

With the tray in position, drill through the two indentations on the corner of the tray using the 3mm drill supplied. Countersink slightly to stop the tray cracking as Fig 1.

Place two spots of silicone over the holes and using the aluminum block supplied fix using screws supplied as Fig 1.1.

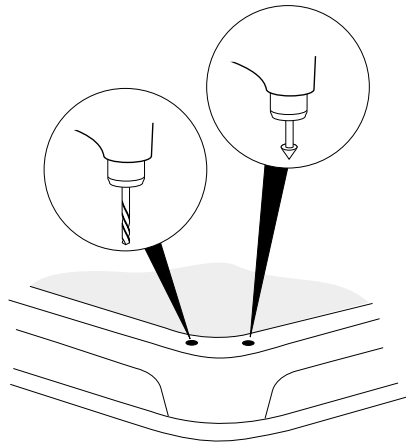


Fig 1

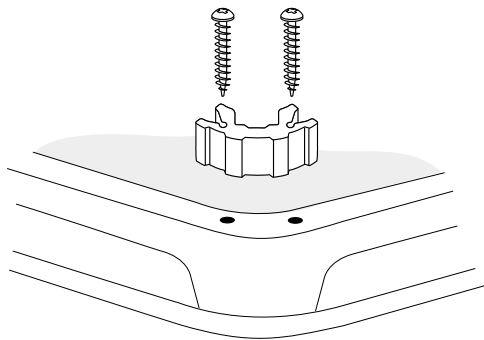


Fig 1.1

2. Position and Mark Side Panel

Place the large wall channel in the slot on the tray and against the wall. Make sure it is vertical as Fig 2.1 and that the slots face inwards as Fig 2.2.

Fig 2.2

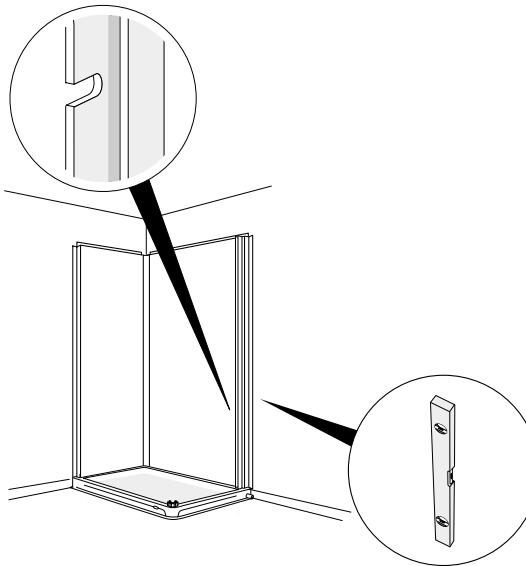


Fig 2.1

3. Mark and Drill Side Panel

Using a pencil, mark through the 4 slots as Fig 3.1.

Tiled installations: - Drill 50mm (2") deep hole with the 5.5mm drill and use 1 1/2" (38mm) No 8 screws and rawl plugs and fix wall channel to wall, as Fig 3.2.

Wall panel installation: Drill the wall panel with a 10mm drill. Insert rubber flexi plug supplied and fix channel with M5 x 50 screws supplied.

Fig 3.1

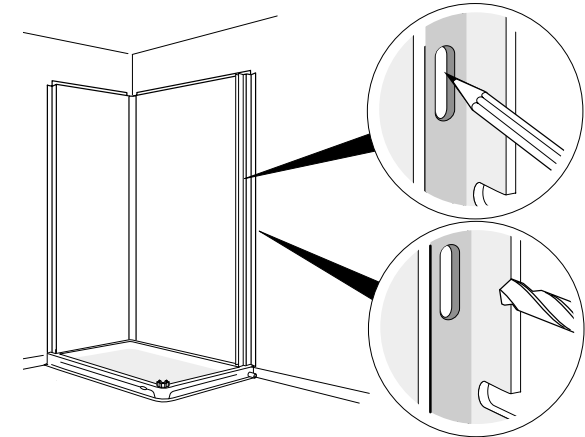


Fig 3.2

4. Fix With Screws

Slide full height side panels into channel and fix with screws, slots covers and shakeproof washers as Fig 4.1. Do not fully tighten screws.

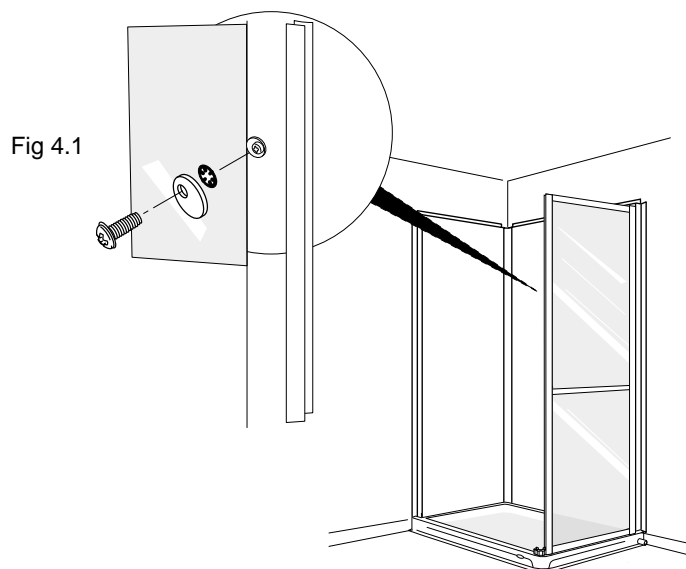


Fig 4.1

5. Fit Corner Section

Slide curved corner section onto panel and over cover block previously fitted as Fig 5.1. Make sure grub screw (at bottom) is securely fastened to corner block using the allen key provided.

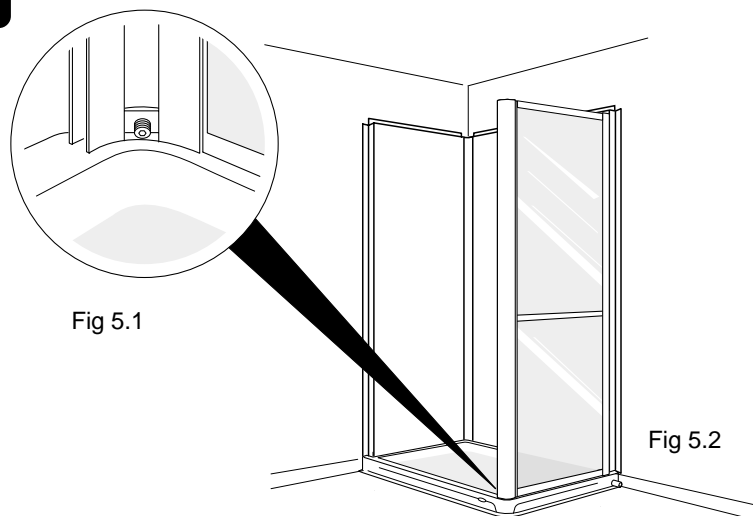


Fig 5.1

Fix to panel with screws, slot covers and shakeproof washers. Do not over tighten screws.

Fig 5.2

6. Fixing Jamb Panel

Place small wall channel in remaining slot on tray, fix as previous.

Fix remaining wall jamb with screws, slot covers and shakeproof washers, as Figs 6.2 – 7.3. Do not fully tighten.

Fig 6.2

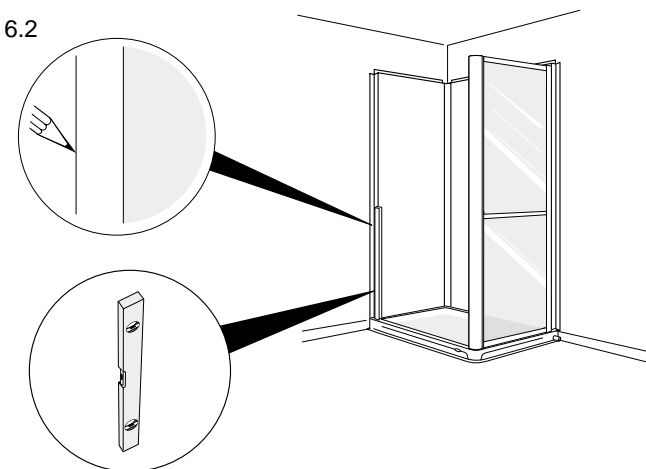


Fig 6.1

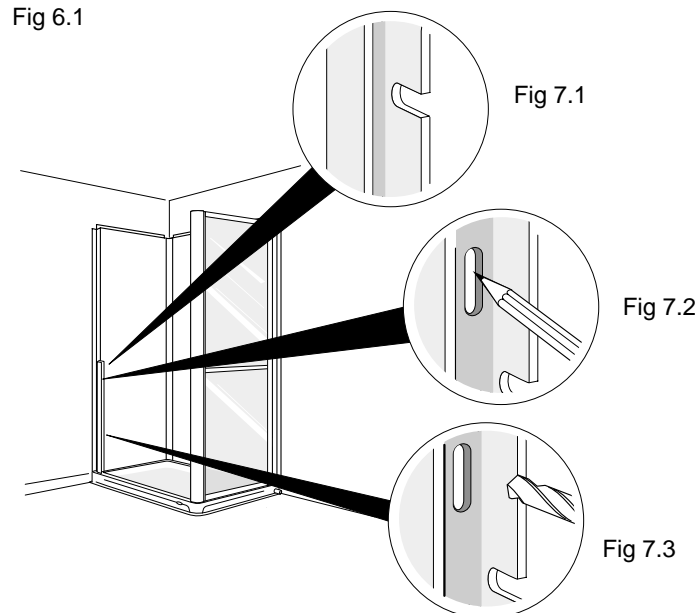


Fig 7.1

Fig 7.2

Fig 7.3

7. Fixing Pole Section & Fitting Doors

Fit the full height pole to the jamb making sure the fixing plate is fitted and holes are on the outside, as Fig 8.1 and Fig 8.2. Fix as previous. Fix to jamb, as Fig 8.3, with screws, slot covers and shakeproof washers. Do not fully tighten.

NOTE: Door always opens outwards.

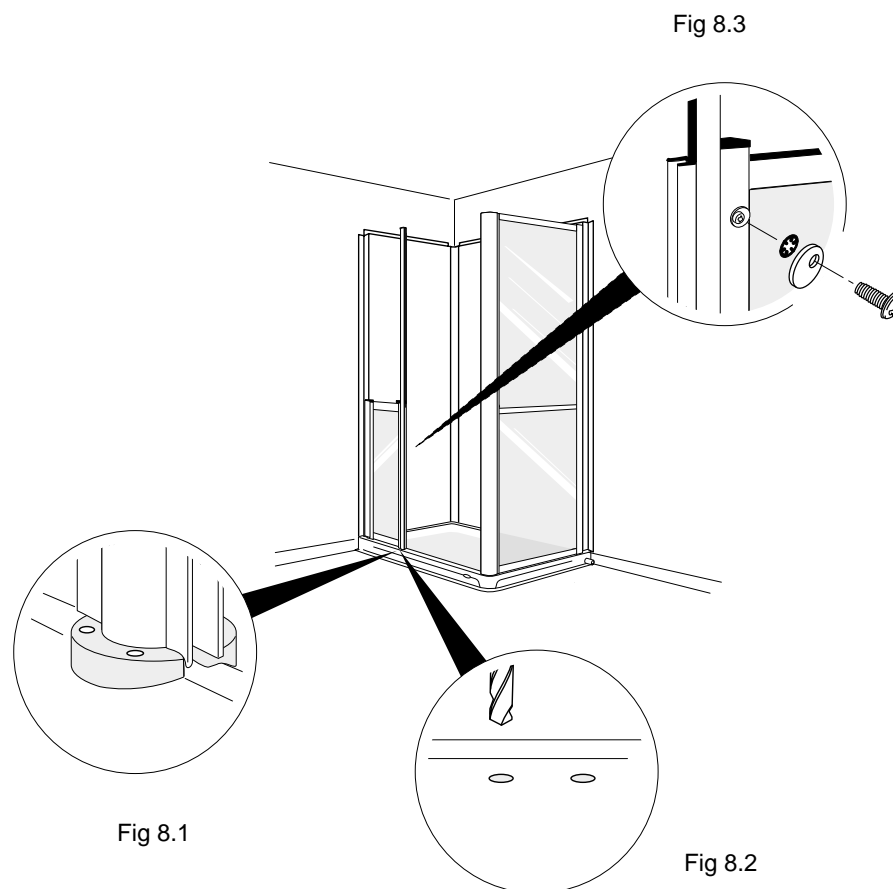
Standing the door on the tray will tell you if it is hinged left or right. Slide door into appropriate channel and fix as previous. Do not fully tighten

Ensure black spike seal is at bottom of all panels and in contact with tray. Fix door receiver into opposite channel and secure as previous.

Close the doors and check that magnetic strips make contact with each other, adjust if necessary. Check and adjust other panels.

Check the enclosure is square and vertical. Check jamb pole fixing plate is

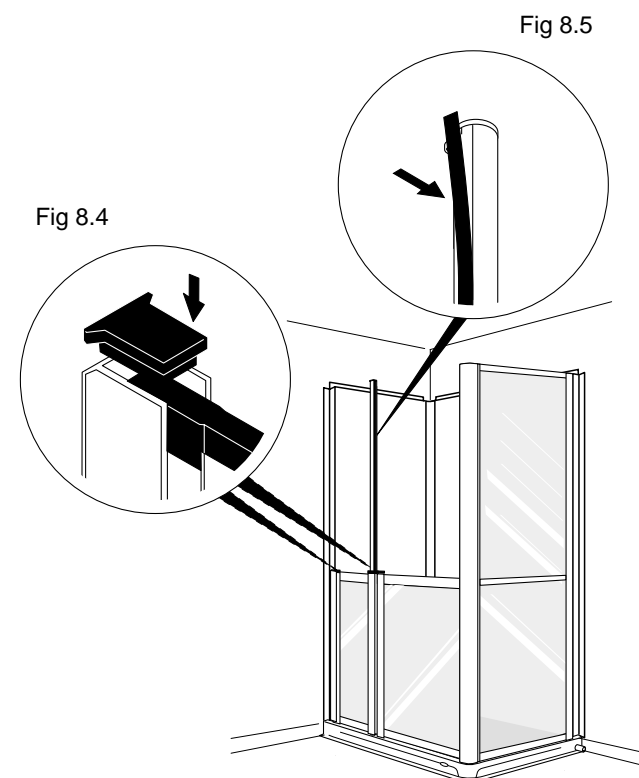
correctly aligned, as Fig 8.2. Using drill 3.3mm bit provided, drill tray and screw pole fixing plate in position with 1/2" x No. 8 flange head screws as Fig 8.3.



8. Fitting Covers and End Caps

Fit end caps as Fig 8.4 and secure with silicone sealant. Snap on the two ribbed pole covers as Fig 8.5.

Fully tighten all fixing screws.



9. Fit Curtain Rail Brackets and Curtain

Using 3/4" No 6 screws secure pole bracket to top of the pole rail as Fig 9.3

Place 1 M5 nut into top of curtain rail, as Fig 9.2. Offer up the curtain rail to the pole bracket.

Place a white curtain bracket onto the end of the rail that connects to the wall panel, secure and lock with grub screw, as Fig 9.4 using allen key provided.

Insert a M5 x 10mm stainless steel screw through the bracket and screw into nut in top of rail, as Fig 9.2.

Connect the opposite end of the curtain rail into the curved corner section as Fig 9.5 with screw and nut supplied.

Check the curtain rail is level then mark through bracket holes with a pencil.

Remove curtain rail and drill wall with 5.5mm drill to a depth of 2" (50mm).

Load curtain rail with appropriate number of hooks in bottom of channel, as Fig 9.1

Fix curtain rail brackets to wall with plugs and 38mm (1 1/2") x No 8 screws as Fig 9.6.

If using wall panels use rawlplug rubber fixing supplied and fix as before.

Cover screws with caps supplied and fit plug into end of curtain rail near curved corner.

